



Development Review Committee

1020 East Pioneer Road
Draper, Utah 84020

STAFF REPORT

September 23, 2022

To: Jennifer Jastremsky, Zoning Administrator

Approved Date

From: Maryann Pickering, AICP, Planner III
(801) 576-6391 or maryann.pickering@draperutah.gov

Re: AT&T Tech Upgrade – Permitted Use Permit Request

Application No.: USE-166-2022
Applicant: Ciera House on behalf of AT&T Mobility
Project Location: Approximately 656 E. 11400 South
Current Zoning: CN (Neighborhood Commercial)
Acreage: Approximately 10.19 acres (approximately 443,876 square feet)
Request: Request for approval of a Permitted Use Permit in the CN zone regarding approval to allow for a technology upgrade on an existing AT&T wireless facility.

SUMMARY AND BACKGROUND

This application is a request for approval of a Permitted Use for approximately 10.19 acres located on the west side of 11400 South, at approximately 656 E. 11400 South (Exhibits B and C). The property is currently zoned CN. The applicant is requesting that a Permitted Use be approved to allow for a technology upgrade on an existing wireless facility.

To keep up with the changes in wireless communication technology, AT&T is upgrading many of its facilities throughout the valley. The current application pertains to the existing wireless facility known as “Draper UTL02005”. The parcel is owned by TDH Draper, LLC, and is part of a commercial site with three buildings and a gasoline service station. The property is located at the southwest corner of 11400 South and 700 East.



The rooftop equipment on this building has been in place for some time. AT&T previously completed an equipment upgrade on 2018 and is now proposing this technology upgrade.

ANALYSIS

General Plan and Zoning.

Table 1	General Plan and Zoning Designations	Exhibit
Existing Land Use	Community/Neighborhood Commercial	Exhibit D
Current Zoning	CN	Exhibit E
Adjacent Zoning		
East	CN	
West	R3 (Single Family Residential, 13,000 square foot lot minimum)	
North	Sandy City	
South	RM1 (Residential Multiple Family) and CN	

The land use designation is characterized as follows:

Neighborhood Commercial

LAND USE DESCRIPTION	
CHARACTERISTICS	<ul style="list-style-type: none"> • Small-scale commercial land uses that serve local residents in adjacent neighborhoods • Minimal impact in predominantly residential areas • Well-landscaped street frontages • Limited traffic access points and pedestrian access from surrounding residential areas • Don't overcrowd commercial lots; i.e., require adequate setback and landscape buffers • Screened parking and adequate ingress and egress to parking areas • Adequate drainage • Low noise standards
LAND USE MIX	<ul style="list-style-type: none"> • Small-scale commercial • Planned retail • Office
COMPATIBLE ZONING	<ul style="list-style-type: none"> • Neighborhood Commercial (CN) • Institutional Care (IC) • Commercial Services (CS)
LOCATION	<ul style="list-style-type: none"> • Adjacent to neighborhood • Along local roads



The property has been assigned the CN zoning classification. According to Draper City Municipal Code (DCMC) the purpose of the CN zone is to *"provide areas where convenience buying outlets, having small trade areas, may be established to serve surrounding residential neighborhoods. This zone is intended to promote a combination of retail and service facilities which, in character and scale, meet day to day needs of nearby residents."*

Requested Modification. The applicant is proposing a technology update to the existing equipment on the rooftop. There will be no increase in height and the existing rooftop mounted equipment will be used. The application requests that the additions be approved as an eligible facilities request under the Federal Spectrum Act and FCC regulations.

Electronic Code of Federal Regulations

Title 47, Chapter I, Subchapter A, Part 1, Subpart U, §1.6100

(b) Definitions.

- (3) Eligible facilities request. Any request for modification of an existing tower or base station that does not substantially change the physical dimensions of such tower or base station, involving:
 - (i) Collocation of new transmission equipment;
 - (ii) Removal of transmission equipment; or
 - (iii) Replacement of transmission equipment.
- (7) Substantial change. A modification substantially changes the physical dimensions of an eligible support structure if it meets any of the following criteria:
 - (i) For towers other than towers in the public rights-of-way, it increases the height of the tower by more than 10% or by the height of one additional antenna array with separation from the nearest existing antenna not to exceed twenty feet, whichever is greater; for other eligible support structures, it increases the height of the structure by more than 10% or more than ten feet, whichever is greater;
 - (A) Changes in height should be measured from the original support structure in cases where deployments are or will be separated horizontally, such as on buildings' rooftops; in other circumstances, changes in height should be measured from the dimensions of the tower or base station, inclusive of originally approved appurtenances and any modifications that were approved prior to the passage of the Spectrum Act.
 - (ii) For towers other than towers in the public rights-of-way, it involves adding an appurtenance to the body of the tower that would protrude from the edge of the tower more than twenty feet, or more than the width of the tower structure at the level of the appurtenance, whichever is greater; for other eligible support structures, it involves adding an appurtenance to the body of the structure that would

- protrude from the edge of the structure by more than six feet;
 - (iii) For any eligible support structure, it involves installation of more than the standard number of new equipment cabinets for the technology involved, but not to exceed four cabinets; or, for towers in the public rights-of-way and base stations, it involves installation of any new equipment cabinets on the ground if there are no pre-existing ground cabinets associated with the structure, or else involves installation of ground cabinets that are more than 10% larger in height or overall volume than any other ground cabinets associated with the structure;
 - (iv) It entails any excavation or deployment outside of the current site, except that, for towers other than towers in the public rights-of-way, it entails any excavation or deployment of transmission equipment outside of the current site by more than 30 feet in any direction. The site boundary from which the 30 feet is measured excludes any access or utility easements currently related to the site;
 - (v) It would defeat the concealment elements of the eligible support structure; or
 - (vi) It does not comply with conditions associated with the siting approval of the construction or modification of the eligible support structure or base station equipment, provided however that this limitation does not apply to any modification that is non-compliant only in a manner that would not exceed the thresholds identified in §1.40001(b)(7)(i) through (iv).
- (c) Review of applications. A State or local government may not deny and shall approve any eligible facilities request for modification of an eligible support structure that does not substantially change the physical dimensions of such structure.

The proposed additions to the tower and ground area for the co-location are not considered to be substantial under the FCC regulations and the request complies with listed standards to be considered as an eligible facilities request. The following is proposed:

THE PROJECT WILL BE COMPRISED OF
MODIFICATION TO AT&T ANTENNA ARRAY:

- REMOVE (3) (E) ET-X-UW-70-16-70-18-IR-AT-RA ANTENNAS
- REMOVE (2) (E) 7750.00 ANTENNAS
- REMOVE (1) (E) 800 10765 K ANTENNAS
- REMOVE (3) (E) RRH2X40W_7L RRHS
- REMOVE (3) (E) RRH2X60-850 RRHS
- REMOVE (3) (E) FLEXI RRH 4T4R B14 160W FRBI RRHS
- REMOVE (3) (E) BALLAST MOUNTS
- REMOVE (3) (E) DC2-48-60-0-9E
- REMOVE (1) (E) FC12-PC6-10E
- REMOVE (3) (E) DC6 SQUID
- INSTALL (9) (N) SITE PRO 1 - RRFA2 RRH MOUNT BRACKET
- INSTALL (18) (N) SITE PRO 1 - MAT18
- INSTALL (3) (N) NOKIA - AEQK ANTENNAS (STACKED)
- INSTALL (3) (N) DC9-48-60-24-PC16-EV
- INSTALL (3) (N) NOKIA - AEQU ANTENNAS (STACKED)
- INSTALL (3) (N) COMMSCOPE NNH4-65C-R6-V3 ANTENNAS
- INSTALL (3) (N) AIRSCALE TRI RRH 4T4R B12/14/29 370W AHLBBA RRHS
- INSTALL (3) (N) AIRSCALE RRH 4T4R B5160W AHCA RRHS
- INSTALL (3) (N) RTP14-3RRU MOUNT

There will be no changes to the height of the structure or ground space. The proposed plan set is included at Exhibit F.

Criteria for Approval. The criteria for review and potential approval of a permitted use request is found in Section 9-5-070(E) of the Draper City Municipal Code. This section depicts the standard of review for such requests as:

- E. Approval Standards: The following standards shall apply to the issuance of a permitted use permit. A permitted use shall:
1. Be allowed as a permitted use in the applicable zone;
 2. Conform to development standards of the applicable zone;
 3. Conform to applicable regulations of general applicability and regulations for specific uses set forth in this title;
 4. Not be located on any land classified as a primary or secondary conservation area or sensitive land area, except as expressly permitted by provisions of this title;
 5. Not be located in any protected area as shown on a natural resource inventory; and
 6. Conform to any other applicable requirements of this code.

The proposed co-location and installation of proposed appurtenances conform generally to applicable requirements of the code under 9-5-070(E), and FCC issued regulations.

The criteria for review and approval of an Eligible facilities request are found in the Electronic Code of Federal Regulations Title 47, Chapter I, Subchapter A, Part 1, Subpart U, §1.6100, (c). This section depicts the standard of review for such requests as:

- (c) Review of applications. A State or local government may not deny and shall approve any eligible facilities request for modification of an eligible support structure that does not substantially change the physical dimensions of such structure.

REVIEWS

Planning Division Review. The Draper City Planning Division has completed their review of the Permitted Use Permit submission. Comments from this division, if any, can be found in Exhibit A.

Engineering and Public Works Divisions Review. The Draper City Engineering and Public Works Divisions have completed their reviews of the Permitted Use Permit submission. Comments from these divisions, if any, can be found in Exhibit A.

Fire Division Review. The Draper City Fire Marshal has completed his review of the Permitted Use Permit submission. Comments from this division, if any, can be found in Exhibit A.

Legal Review. The Draper City Attorney has completed their review of the Permitted Use Permit submission. Comments from the Division, if any, can be found in Exhibit A.

Noticing. Notice has been properly issued in the manner outlined in the City and State Codes.

STAFF RECOMMENDATION

Staff finds that the application complies with the DCMC and recommends that the Zoning Administrator review the request and approve the application based on the findings listed below and the criteria for approval, as listed within the staff report.

If the Zoning Administrator decides to approve the request, staff recommends they include the following conditions of approval:

1. That the proposed changes are compliant with Section 9-41-050(E) of the DCMC.
2. The applicant shall obtain all applicable permits from Draper City Fire and the Building Division for this upgrade.

DEVELOPMENT REVIEW COMMITTEE ACKNOWLEDGEMENT

We, the undersigned, as duly appointed members of the Draper City Development Review Committee, do acknowledge that the application which provides the subject for this staff report has been reviewed by the Committee and has been found to be appropriate for review by the Draper City Planning Commission and/or City Council.

Draper City Public Works Department

Draper City Planning Division

Draper City Fire Department

Draper City Legal Counsel

Draper City Building Division



EXHIBIT A
DEPARTMENT REVIEWS

REVIEWS ARE NOT MEANT TO BE AN ALL INCLUSIVE LIST OF POSSIBLE COMMENTS OR CONDITIONS.

Planning Division Review

No additional comments provided.

Building Division Review

No additional comments provided.

Engineering and Public Works Divisions Review.

No additional comments provided.

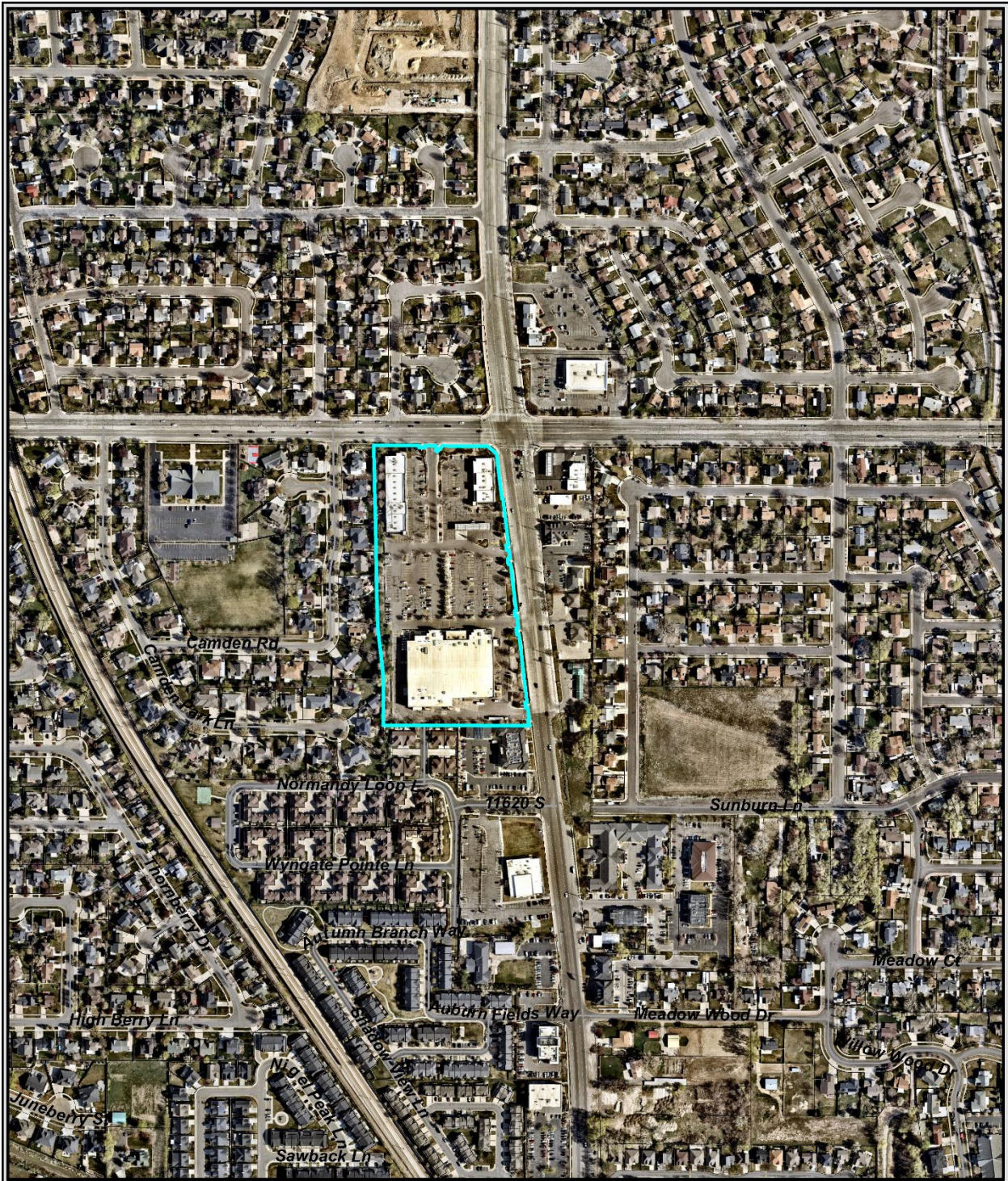
Fire Division Review.

1. 2A-10BC Fire Extinguishers required. The extinguisher needs to be a serviceable type meaning metal head and metal neck. Extinguishers need to be located in a conspicuous location where they will be readily accessible and immediately available for use. Placed on every level of the home. If in cabinet or not the extinguisher or cabinet needs to be mounted so that the top is not more than five (5) feet above the floor.
2. Fire Department Access is required to be maintained. Vehicles cannot park in such a way to impede fire department or emergency vehicle access.
3. Hazardous Material Permit – A Draper City Fire Hazardous Material Permit may need to be obtained. This is for all new and existing installations.

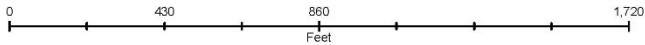
Legal Review.

No additional comments provided.

**EXHIBIT B
VICINITY MAP**



**AT&T Tech Upgrade
656 E. 11400 South**



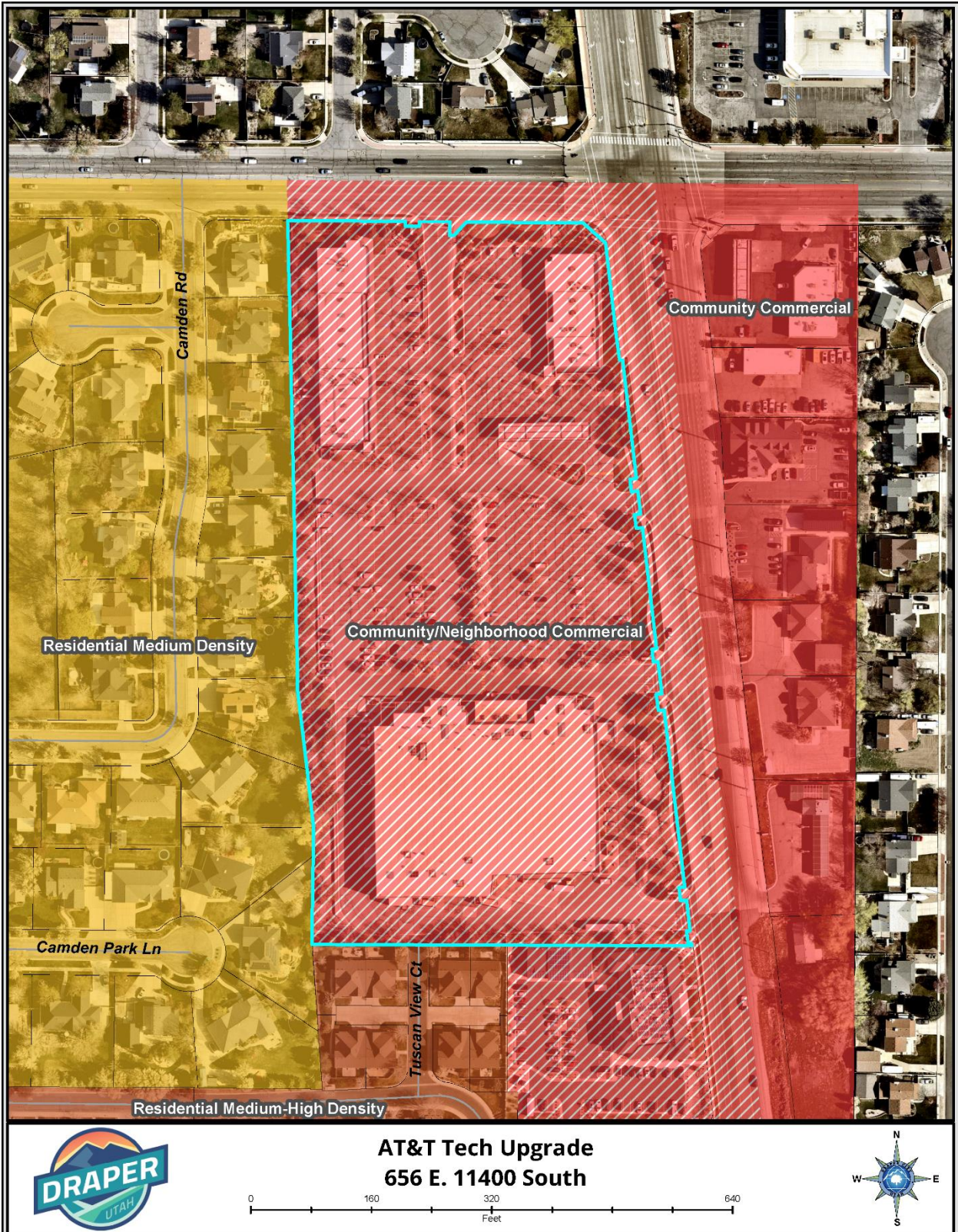
**EXHIBIT B
AERIAL MAP**



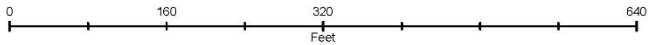
**AT&T Tech Upgrade
656 E. 11400 South**



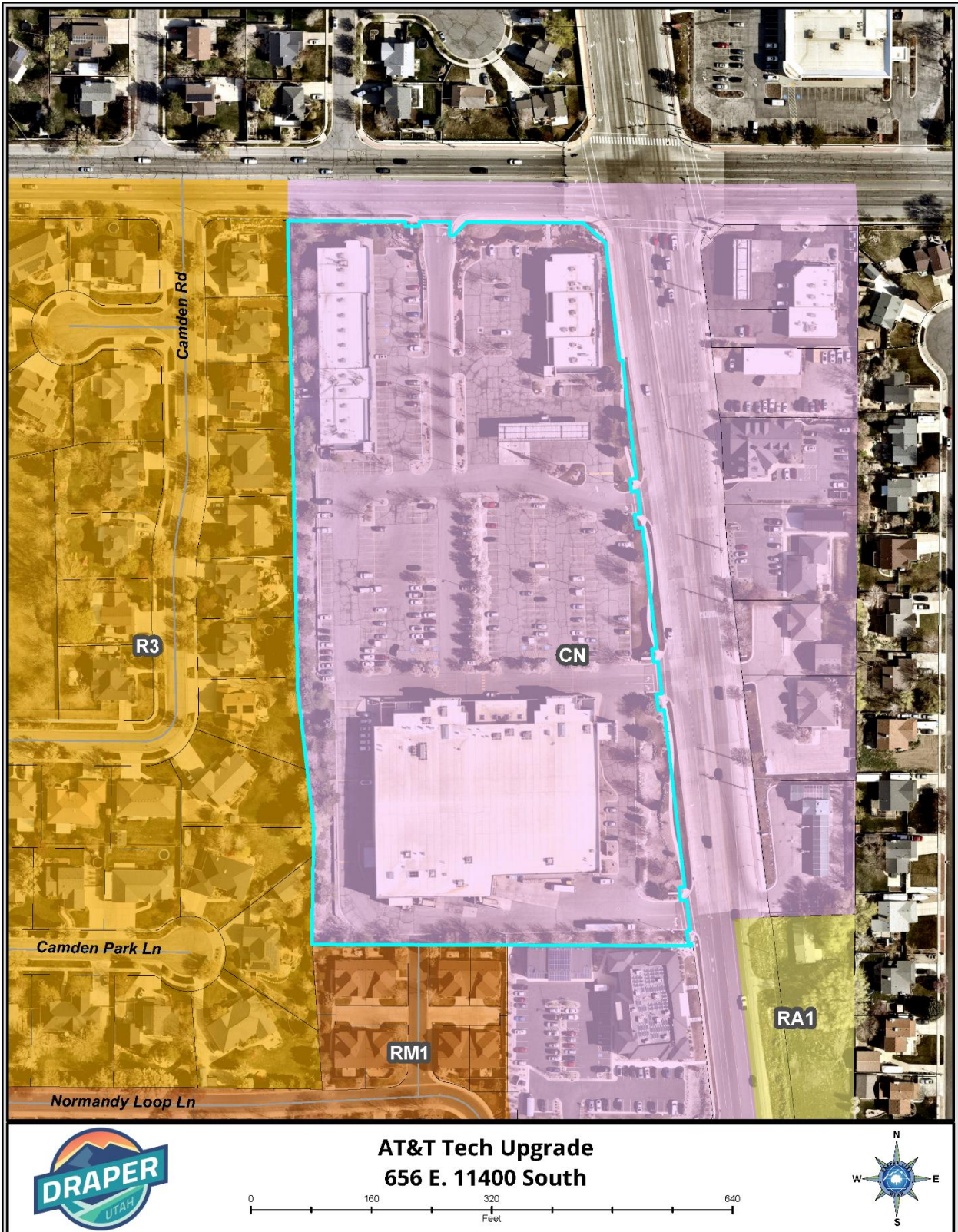
**EXHIBIT D
LAND USE MAP**



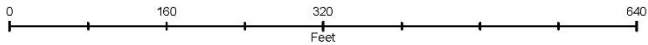
**AT&T Tech Upgrade
656 E. 11400 South**



**EXHIBIT E
ZONING MAP**



**AT&T Tech Upgrade
656 E. 11400 South**



**EXHIBIT F
PROPOSED PLANS**



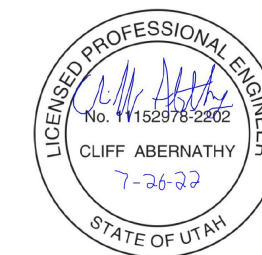
AT&T

UPGRADE:

5G NR 1SR CBAND/5G NR UPGRADE/ 4TXRX ANTENNA RETROFIT/5G NR 1SR CBAND_DOD



1825 W. WALNUT HILL LANE, SUITE 120
IRVING, TEXAS 75038
1-855-669-5421



DRAWING SCALES ARE INTENDED FOR 24"x36" SIZE
PRINTED MEDIA ONLY.

SUBMITTALS

REV	DATE	DESCRIPTION	BY
A	10/06/21	90% CD	TRN
B	02/16/22	90% CD	SUA
C	07/07/22	90% CD	ARK
D	07/21/22	100% CD	SUD

SITE INFORMATION

SITE ID:
UTL02005

RFDS NAME:
UTL02005

SITE NAME:
11400 S & 700 E

SITE ADDRESS:
656 EAST AND 11400 SOUTH
DRAPER, UT 84020

SHEET DESCRIPTION

TITLE SHEET

SHEET No.

T-1

PROJECT TEAM

APPLICANT COMPANY: ADDRESS:	AT&T MOBILITY 161 INVERNESS DR. W., 2ND FL. ENGLEWOOD, CO 80112
PROJECT MANAGER PHONE: COMPANY: ADDRESS:	DANIELLE FINLAY 425-919-7445 TRYLON 1825 W. WALNUT HILL LANE, SUITE 120 IRVING, TX 75038
CONSTRUCTION MANAGER PHONE: EMAIL: COMPANY ADDRESS:	TROY HAYS 801-784-8402 TROY.HAYS@SMARTLINKGROUP.COM SMARTLINK, LLC 1997 ANNAPOLIS EXCHANGE PARKWAY, SUITE 200 ANNAPOLIS, MD 21401
SITE ACQUISITION: PHONE: COMPANY: ADDRESS:	TAMARA SHIVELEY 801-230-4877 SMARTLINK, LLC 1997 ANNAPOLIS EXCHANGE PARKWAY, SUITE 200 ANNAPOLIS, MD 21401
ARCHITECT/ENGINEER PHONE: EMAIL: COMPANY: ADDRESS:	ATTN: KATYA SERAVALLE 1-855-669-5421 KATYA.SERAVALLE@TRYLON.COM TRYLON TSF 1825 W. WALNUT HILL LANE, SUITE 120 IRVING, TX 75038

CODE COMPLIANCE

ALL WORK & MATERIALS SHALL BE PERFORMED & INSTALLED IN ACCORDANCE WITH THE CURRENT EDITIONS OF THE FOLLOWING CODES AS ADOPTED BY THE LOCAL GOVERNING AUTHORITIES. NOTHING IN THESE PLANS IS TO BE CONSTRUED TO PERMIT WORK NOT CONFORMING TO THESE CODES:

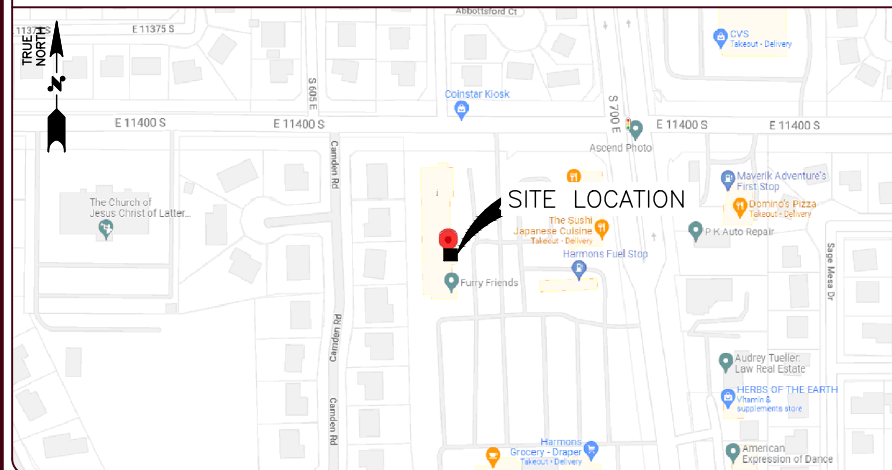
- BUILDING CODE 2018 OF UTAH (2018 IBC W/ AMENDMENTS)
- MECHANICAL CODE 2018 OF UTAH (2018 IMC W/ AMENDMENTS)
- RESIDENTIAL CODE 2015 OF UTAH (2015 IRC W/ AMENDMENTS)
- NATIONAL ELECTRICAL CODE 2020 OF UTAH (2020 NFPA 70 W/ AMENDMENTS)

THIS FACILITY IS UNMANNED AND NOT FOR HUMAN HABITATION. THIS FACILITY IS NON-OCCUPIABLE AND ACCESSIBLE ONLY TO SERVICE PERSONNEL.

SHEET INDEX

SHEET #	DESCRIPTION	REVISION #
T-1	TITLE SHEET	0
GN-1	GENERAL NOTES	0
A-1	SITE PLAN	0
A-2	ENLARGED SITE PLAN	0
A-3	EXISTING & PROPOSED EQUIPMENT SHELTER PLANS	0
A-4 & A-4.1	EXISTING & PROPOSED ANTENNA PLANS	0
A-5	EXISTING AND PROPOSED BUILDING ELEVATION	0
A-6	ANTENNA AND EQUIPMENT SCHEDULE	0
A-7 - A-11	EQUIPMENT DETAILS	0
E-1 & E-1.1	GROUNDING PLAN	0
E-2	GROUNDING DETAILS	0

VICINITY MAP



DRIVING DIRECTIONS

FROM: SALT LAKE CITY INTERNATIONAL AIRPORT, 776 N TERMINAL DR, SALT LAKE CITY, UT 84122
TO: 656 EAST AND 11400 SOUTH, DRAPER, UT 84020

- GET ON I-80 E
- HEAD WEST ON TERMINAL DR
- USE THE LEFT 2 LANES TO TAKE THE I-80 E RAMP TO CITY CENTER/OGDEN/PROVO
- KEEP LEFT AT THE Y JUNCTION, FOLLOW SIGNS FOR I-80 E AND MERGE WITH I-80 E
- TAKE I-15 S TO UT-175/W 11400 S. TAKE EXIT 292 FROM I-15 S
- MERGE WITH I-80 E
- TAKE EXIT 121 ON THE LEFT TO MERGE WITH I-15 S/I-80 E TOWARD CHEYENNE/LAS VEGAS
- KEEP LEFT TO CONTINUE ON I-15 S
- KEEP LEFT TO STAY ON I-15 S
- USE THE RIGHT 2 LANES TO TAKE EXIT 292 FOR UT-175 E
- FOLLOW W 11400 S TO YOUR DESTINATION IN DRAPER
- CONTINUE STRAIGHT ONTO UT-175/W 11400 S
- CONTINUE TO FOLLOW W 11400 S
- SITE WILL BE ON THE RIGHT

PROJECT INFORMATION

SITE NAME: 11400 S & 700 E
RFDS NAME: UTL02005
RFDS ID: 4475825
FA #: 10100321
SITE TYPE: ROOFTOP
COUNTY: SALT LAKE
JURISDICTION: CITY OF DRAPER
LATITUDE: 40.5435333° / 40° 32' 36.71988" N
LONGITUDE: -111.8733972° / 111° 52' 24.22992" W
AMSL: ±4540'
OCCUPANCY GROUP: U
CONSTRUCTION TYPE: UNKNOWN
ZONING CODE: CN-NEIGHBORHOOD COMMERCIAL
SITE ADDRESS: 656 EAST AND 11400 SOUTH
DRAPER, UT 84020
APN: 28194260990000



POWER PROVIDER: UNKNOWN
TELCO PROVIDER: UNKNOWN

SITE ID:

UTL02005

FA #:

10100321

RFDS NAME:

UTL02005

SITE NAME:

11400 S & 700 E

LTE NEXT CARRIER PACE #:

MRUTH045446/MRUTH045441/
MRUTH045494/MRUTH046410

LTE NEXT CARRIER PIN #:

3752A0Z7ZX/3752A0Z7JK/
3752A0Z7VZ/3752A1060D

SITE ADDRESS:

656 EAST AND 11400 SOUTH
DRAPER, UT 84020

PROJECT DESCRIPTION

THE PROJECT WILL BE COMPRISED OF
MODIFICATION TO AT&T ANTENNA ARRAY:

- REMOVE (3) (E) ET-X-UW-70-16-70-18-IR-AT-RA ANTENNAS
- REMOVE (2) (E) 7750.00 ANTENNAS
- REMOVE (1) (E) 800 10765 K ANTENNAS
- REMOVE (3) (E) RRH2X40W_7L RRHS
- REMOVE (3) (E) RRH2X60-850 RRHS
- REMOVE (3) (E) FLEXI RRH 4T4R B14 160W FRBI RRHS
- REMOVE (3) (E) BALLAST MOUNTS
- REMOVE (3) (E) DC2-48-60-0-9E
- REMOVE (1) (E) FC12-PC6-10E
- REMOVE (3) (E) DC6 SQUID
- INSTALL (9) (N) SITE PRO 1 - RRF2 RRH MOUNT BRACKET
- INSTALL (18) (N) SITE PRO 1 - MAT18
- INSTALL (3) (N) NOKIA - AEQK ANTENNAS (STACKED)
- INSTALL (3) (N) DC9-48-60-24-PC16-EV
- INSTALL (3) (N) NOKIA - AEQU ANTENNAS (STACKED)
- INSTALL (3) (N) COMMSCOPE NNH4-65C-R6-V3 ANTENNAS
- INSTALL (3) (N) AIRSCALE TRI RRH 4T4R B12/14/29 370W AHLBBA RRHS
- INSTALL (3) (N) AIRSCALE RRH 4T4R B5160W AHCA RRHS
- INSTALL (3) (N) RTP14-3RRU MOUNT

MODIFICATION TO AT&T EQUIPMENT ENCLOSURE:

- REMOVE (E) ARGUS POWER PLANT AND (8) 155AH BATTERIES
- REMOVE (20) 155 AH BATTERIES FROM SSC CABINET
- REMOVE (1) UMS CABINET
- INSTALL OUTDOOR VERTIV -48V DC PLANT WITH 3 SHELVES AND (12) 190AH BATTERIES
- INSTALL OUTDOOR VERTIV -48V BATTERY CABINETS AND (12) 190AH BATTERIES
- INSTALL (13) VERTIV RECTIFIERS
- INSTALL (N) FLEX21 CABINET FOR 5G FSM4
- INSTALL (1) ASIL
- INSTALL (3) ABIO
- INSTALL (1) AMIA

GENERAL NOTES

1. GENERAL REQUIREMENTS

A. PURPOSE AND INTENT

1. THE DRAWING AND SPECIFICATION ARE INTENDED TO BE FULLY EXPLANATORY AND SUPPLEMENTARY, HOWEVER, SHOULD ANYTHING BE SHOWN, INDICATED, OR SPECIFIED ON ONE AND NOT THE OTHER, IT SHALL BE DONE THE SAME AS IF DISCREPANCIES BETWEEN REQUIREMENTS SHOWN IN BOTH, THE MORE STRINGENT REQUIREMENTS SHALL APPLY.

2. THE INTENTION OF THE DOCUMENT IS TO INCLUDE ALL LABOR AND MATERIALS REASONABLY NECESSARY FOR THE PROPER EXECUTION AND COMPLETION OF THE WORK AS STIPULATED IN THE CONTRACT.

A. CONFLICTS

1. VERIFY ALL MEASUREMENTS AT THE SITE BEFORE ORDERING MATERIAL OR DOING ANY WORK, NO EXTRA CHARGE OR COMPENSATION WILL BE ALLOWED DUE TO DIFFERENCES BETWEEN ACTUAL DIMENSIONS OR DIMENSIONS SHOWN ON PLANS. SUBMIT NOTICE OF ANY DISCREPANCY IN DIMENSIONS OR OTHERWISE TO AT&T FOR RESOLUTION BEFORE PROCEEDING WITH THE WORK.

2. NO PLEA OF IGNORANCE OF CONDITIONS THAT EXIST, OR OF DIFFICULTIES OR CONDITIONS THAT MAY BE ENCOUNTERED, OR OF ANY OTHER RELEVANT MATTER CONCERNING THE EXECUTION OF THE WORK WILL BE ACCEPTED AS AN EXCUSE FOR ANY FAILURE OR OMISSION ON THE PART OF THE CONTRACTOR TO FULFILL EVERY DETAIL OF ALL THE REQUIREMENTS OF THE CONSTRUCTION DOCUMENTS GOVERNING THE WORK.

A. CLEANING

1. KEEP THE SITE FREE FROM ACCUMULATION OF WASTE AND RUBBISH CAUSED BY EMPLOYEES AT THE COMPLETION OF THE WORK, REMOVE ALL WASTE AND NON-CONSTRUCTION MATERIAL INCLUDING ALL CONTRACT TOOLS, SCAFFOLDING, AND SURPLUS MATERIAL AND LEAVE SITE CLEAN AND READY FOR USE.

A. CODES

1. CONTRACTOR SHALL BE RESPONSIBLE FOR FOLLOWING ALL LAWS, REGULATIONS, AND RULES PROMULGATED BY FEDERAL STATE AND LOCAL AUTHORITIES WITH JURISDICTION OVER THE SALTIER. THIS RESPONSIBILITY IS IN EFFECT REGARDLESS OF WEATHER THE LAW, ORDINANCE, REGULATION OR RULE IS MENTIONED IN THESE SPECIFICATIONS.

A. LICENSING

1. CONTRACTOR SHALL HAVE AND MAINTAIN A VALID CONTRACTOR'S LICENSE FOR THE LOCATION IN WHICH THE WORK IS TO BE PERFORMED. FOR JURISDICTIONS THAT LICENSE INDIVIDUAL TRADES, THE TRADESMAN OR SUBCONTRACTOR PERFORMING THOSE SHALL BE LICENSED, RESEARCHED AND COMPLY WITH THE LICENSING LAWS, PAY LICENSE FEES, AND SELECT AND INFORM SUBCONTRACTORS REGARDING THESE LAWS.

A. OSHA

1. FOLLOW ALL APPLICABLE RULES AND REGULATIONS OF THE OCCUPATIONAL SAFETY AND HEALTH ADMINISTRATIONS AND STATE LAWS BASED IN THE FEDERAL OCCUPATION SAFETY AND HEALTH ACT. THESE REGULATIONS INCLUDE, BUT ARE NOT LIMITED TO, REGULATIONS DEALING WITH TOWER CONSTRUCTION AND SAFETY, EXCAVATION AND TRENCHING, AND WORK IN CONFINED SPACES. ENSURE THAT EMPLOYEES AND SUBCONTRACTORS WEAR HARD HATS AT ALL TIMES DURING CONSTRUCTION.

A. PHOTOS

1. PROVIDE PHOTOGRAPHIC EVIDENCE OF ALL FOUNDATION INSTALLATIONS, GROUNDING, AND TRENCHING AFTER PLACEMENT OF UTILITIES PRIOR TO BACKFILL.

A. BUILDING PERMITS

1. CONTRACTOR WILL SUBMIT CONSTRUCTION DOCUMENTS TO THE JURISDICTIONAL AUTHORITY FOR PLAN CHECK AND REVIEW. CONTRACTOR WILL SUBMIT LICENSING AND WORKMAN'S COMPENSATION INFORMATION TO THE JURISDICTION AS REQUIRED TO OBTAIN THE BUILDING PERMIT. CONTRACTOR SHALL COORDINATE AND SCHEDULE REQUIRED INSPECTIONS AND POST REQUIRED PERMITS AT THE JOB SITE COMPLY WITH SPECIFIC PROJECT RELATED REQUESTS AND SUGGESTIONS MADE BY BUILDING INSPECTOR, AND INFORM CONSTRUCTION MANAGER OF ANY SUCH WORK THAT MAY BE BEYOND THE SCOPE OF THE CONTRACT OR DEVIATE FROM THE CONSTRUCTION DOCUMENT. AT&T WILL REIMBURSE THE CONTRACTOR FEES FOR PLAN REVIEW, BUILDING PERMIT, CONNECTIONS, AND INSPECTIONS. (INCLUDED IN THE BASE PROPOSAL).

A. ZONING REGULATIONS AND CONDITIONAL USE PERMITS

1. CONTRACTOR WILL SUBMIT ALL ZONING AND CONDITIONAL USE PERMITS. SOME USE PERMITS MAY HAVE SPECIFIC REQUIREMENTS FOR THE SITE RELATED TO CONSTRUCTION, SUCH AS NOISE REGULATIONS, HOURS OF WORK, ACCESS LIMITATIONS, ETC. THE CONSTRUCTION MANAGER WILL INFORM THE CONTRACTOR OF THESE REQUIREMENTS AT THE PRE-BID MEETING OR AS SHOWN IN THE CONSTRUCTION DOCUMENTS.

A. FAA PERMIT AND TOWER LIGHTING

1. REFER TO CONSTRUCTION DOCUMENTS AND CONSTRUCTION MANAGER FOR FAA AND STATE LIGHTING REQUIREMENTS. CONTRACTOR SHALL PROVIDE TEMPORARY FM APPROVED LIGHTING UNTIL PERMANENT LIGHTING IS OPERATIONAL.

A. TOWER SECURITY

1. IF REQUIRED, TOWER MUST BE FENCED, TEMPORARILY OR PERMANENTLY WITHIN 24 HOURS OF ERECTION. DO NOT ALLOW THE GATE ACCESSING THE TOWER AREA TO REMAIN OPEN OR UNATTENDED ANY TIME FOR ANY REASON. KEEP THE GATE CLOSED AND LOCKED WHEN NOT IN USE.

L. SITE CONTROL

1. THE CONTRACTOR IS COMPLETELY RESPONSIBLE FOR CONTAINMENT OF SEDIMENT AND CONTROL OF EROSION AT THE SITE. ANY DAMAGE TO ADJACENT OR DOWNSTREAM PROPERTIES WILL BE CORRECTED BY THE CONTRACTOR AT NO EXPENSE TO AT&T.

2. THE CONTRACTOR IS TO MAINTAIN ADEQUATE DRAINAGE AT ALL TIMES. DO NOT ALLOW WATER TO STAND OR POND. ANY DAMAGE TO STRUCTURES OR WORK ON THE SITE CAUSED BY INADEQUATE MAINTENANCE OF DRAINAGE PROVISIONS WILL BE THE RESPONSIBILITY OF THE CONTRACTOR AND ANY COST ASSOCIATED WITH REPAIRS FOR SUCH DAMAGE WILL BE AT THE CONTRACTOR'S EXPENSE.

3. ALL WASTE MATERIAL SHALL BE PROPERLY DISPOSED OF OFF-SITE OR AS DIRECTED BY CONSTRUCTION MANAGER AND IN ACCORDANCE WITH JURISDICTIONAL AUTHORITIES.

M. LIVESTOCK PROTECTION

1. PROTECT AND SECURE LIVESTOCK. MAINTAIN AND SECURE EXISTING PERIMETER FENCE AND/OR GATE ENCLOSURES.

2. SITE PREPARATION

A. SCOPE OF WORK INCLUDES

1. PROTECTION OF EXISTING TREES, VEGETATION AND LANDSCAPING MATERIALS WHICH MIGHT BE DAMAGED BY CONSTRUCTION ACTIVITIES.

2. TRIMMING OF EXISTING TREES AND VEGETATION AS REQUIRED FOR PROTECTION DURING CONSTRUCTION ACTIVITIES.

3. CLEANING AND GRUBBING OF STUMPS, VEGETATION, DEBRIS, RUBBISH, DESIGNATED TREES AND SITE IMPROVEMENTS.

4. TOPSOIL STRIPPING AND STOCKPILING.

5. TEMPORARY EROSION CONTROL, SILTATION CONTROL, AND DUST CONTROL CONFORMING TO LOCAL REQUIREMENTS AS APPLICABLE.

6. TEMPORARY PROTECTION OF ADJACENT PROPERTY, STRUCTURES, BENCHMARKS, AND MONUMENTS.

7. PROTECTION AND TEMPORARY RELOCATION, STORAGE AND RE-INSTALLATION OF EXISTING FENCE AND OTHER SITE IMPROVEMENTS SCHEDULED FOR RE-USE.

8. REMOVAL AND LEGAL DISPOSAL OF CLEARED MATERIALS.

B. PRODUCTS AND MATERIALS (AS APPROVED BY CONSTRUCTION MANAGER OR AS NOTED IN CONSTRUCTION DOCUMENTS)

1. MATERIALS USED FOR TREE PROTECTION, EROSION CONTROL, SILTATION CONTROL, AND DUST CONTROL.

3. EARTHWORK

A. SCOPE OF WORK INCLUDES

1. EXCAVATION, TRENCHING, FILLING, COMPACTION, AND GRADING FOR STRUCTURES, SITE IMPROVEMENTS AND UTILITIES.

2. MATERIALS FOR SUB-BASE, DRAINAGE, BACKFILL AND GRAVEL FOR SLABS, PAVEMENT AND IMPROVEMENTS.

3. ROCK EXCAVATION WITHOUT BLASTING.

4. SUPPLY OF ADDITIONAL MATERIALS FOR OFFSITE AS REQUIRED.

5. REMOVAL AND LEGAL DISPOSAL OF EXCAVATED MATERIAL AS REQUIRED.

B. QUALITY ASSURANCE

1. COMPACTION

A. UNDER STRUCTURES, BUILDING SLABS, PAVEMENTS AND WALKWAYS WILL OBTAIN A 95% COMPACTION AT A MINIMUM DRY DENSITY AS DETERMINED BY ASTM 0-1557 OR WITH PLUS OR MINUS 3% OF THE MOISTURE CONTENT.

2. GRADING TOLERANCES OUTSIDE BUILDING LINES

A. LAWNS, UNPAVED AREAS AND WALKS PLUS OR MINUS 1 INCH.

B. UNDER PAVEMENTS PLUS OR MINUS 1/2 INCH.

3. GRADING TOLERANCES FOR FILL UNDER CONCRETE APPLICATIONS

A. PLUS OR MINUS 1/2 INCH MEASURED WITH 10 FOOT STRAIGHT EDGE.

C. PRODUCTS AND MATERIALS (AS APPROVED BY CONSTRUCTION MANAGER OR AS NOTED IN CONSTRUCTION DOCUMENTS)

1. SUB-BASE MATERIAL: GRADED MIXTURE OF NATURAL OR CRUSHED GRAVEL, CRUSHED STONE OR SLAG, AND NATURAL SAND.

2. WASHED MATERIAL, EVENLY GRADED MIXTURE OF CRUSHED STONE OR GRAVEL WITH 95% PASSING A 1-1/2 INCH SIEVE.

3. GRADING MATERIAL WILL CONSIST OF SATISFACTORY NATIVE OR IMPORTED SOIL MATERIALS FREE OF CLAY, ROCK OR GRAVEL NOT LARGER THAN 2 INCHES IN ANY DIMENSION, DEBRIS, WASTE, FROZEN MATERIALS AND OTHER UNSUITABLE MATERIALS WILL NOT BE ALLOWED FOR USE. IMPORTED MATERIALS SHALL HAVE A CLAY CONTENT OF NO MORE THAN 5%.

4. GRAVEL MATERIAL: EVENLY GRADED MIXTURE OF CRUSHED STONE OR GRAVEL WITH 95% PASSING A 1-1/2 INCH SIEVE.

5. GEOTEXTILE FABRIC: AS PER CONSTRUCTION DOCUMENTS.

D. CLEARING AND GRUBBING

1. REMOVE ALL VEGETATION AND MATERIALS AS REQUIRED. REMOVE STUMPS COMPLETELY UNDER FOUNDATIONS AND ROADWAYS. DISPOSE OF CLEARING AND GRUBBING OFF-SITE OR IN AN ON-SITE LOCATION APPROVED BY CONSTRUCTION MANAGER.

E. STRIPPING

1. STRIP NOT LESS 3 INCHES OF SOD AND TOPSOIL FROM AREAS THAT WILL UNDERLAY GRAVEL, PAVEMENT, NEW STRUCTURES OR EMBANKMENTS. STOCKPILE STRIPPING ON-SITE FOR RE-USE AND FINAL LANDSCAPING.

G. EMBANKMENT

1. CONSTRUCT EMBANKMENT TO THE LINES AND GRADES SHOWN ON THE DRAWING.

2. CONSTRUCT EMBANKMENT FROM ON-SITE EXCAVATION MATERIAL WHEN SUITABLE. USE IMPORTED BACKFILL ONLY AFTER AVAILABLE ON-SITE EXCAVATION MATERIAL HAS BEEN USED.

3. CONSTRUCT IN LIFTS OF NOT MORE THAN 12 INCHES IN LOOSE DEPTH. THE FULL WIDTH OF THE CROSS SECTION SHALL BE BROUGHT UP UNIFORMLY.

4. MATERIAL SHALL BE PLACED IN LAYERS AND SHALL BE NEAR OPTIMUM MOISTURE CONTENT BEFORE ROLLING TO OBTAIN THE PRESCRIBED COMPACTION. WETTING OR DRYING OF THE MATERIAL AND MANIPULATION TO SECURE A UNIFORM MOISTURE CONTENT THROUGHOUT THE LAYERS MAY BE REQUIRED. SUCH OPERATIONS SHALL BE INCLUDED IN THE APPROPRIATE BID ITEM. SHOULD THE MATERIAL BE TOO WET TO PERMIT PROPER COMPACTION, IT IS THE CONTRACTOR'S RESPONSIBILITY TO UTILIZE MATERIAL WITH AN ACCEPTABLE MOISTURE CONTENT.

5. DO NOT PLACE FROZEN MATERIAL IN THE EMBANKMENT AND DO NOT PLACE EMBANKMENT MATERIAL UPON FROZEN MATERIAL.

6. CONTRACTOR SHALL BE RESPONSIBLE FOR THE STABILITY OF EMBANKMENTS AND THE REPLACEMENT OF ANY PORTION WHICH HAS BECOME DISPLACED DUE TO CONTRACTOR'S OPERATIONS.

7. START LAYERS IN THE DEEPEST PORTION OF THE FILL AND AS PLACEMENT PROGRESSES, CONSTRUCT LAYERS APPROXIMATELY PARALLEL TO THE FINISH GRADE LINE.

8. ROUTE EQUIPMENT BOTH LOADED AND EMPTY, OVER THE FULL WIDTH OF THE EMBANKMENT TO ENSURE UNIFORMITY OF MATERIAL PLACEMENT.

9. COMPACT EMBANKMENT UNDERLYING NEW GRAVEL PAVING, FLOOR SLABS AND STRUCTURES TO BE 95% COMPACTION AT A MINIMUM DRY DENSITY AS DETERMINED BY ASTM 0-1557 OR WITHIN PLUS OR MINUS 3% OF OPTIMUM MOISTURE CONTENT. COMPACT NON-STRUCTURAL AREA EMBANKMENTS TO A MINIMUM OF 90% OF ASTM 0-1557.

H. SITE GRADING

1. USING ON-SITE EXCAVATION MATERIAL, SHAPE, TRIM, FINISH AND COMPACT SURFACE AREAS TO CONFORM TO THE LINES, GRADES AND CROSS SECTIONS SHOWN ON THE DRAWING OR AS DESIGNATED BY THE CONSTRUCTION MANAGER.

2. GRADE SURFACES TO DRAIN AND ELIMINATE ANY PONDING OR EROSION.

3. ELIMINATE WHEEL RUTS BY REGRADING.

4. COMPACT AREAS OF UNDERLYING NEW GRAVEL, PAVING, FLOOR SLABS AND STRUCTURES TO BE AT 95% COMPACTION AT A MAXIMUM DRY DENSITY AS DETERMINED BY THE ASTM 0-1557 OR WITHIN PLUS OR MINUS 3% OF OPTIMUM MOISTURE CONTENT.

5. CONSTRUCT FINISH SURFACE OF SITE GRADING AREAS WITHIN 1 INCH FROM SPECIFIED GRADE.

I. SUBGRADE PREPARATION

1. SHAPE TOP OF SUBGRADE TO THE LINES AND GRADES SHOWN ON THE DRAWINGS.

2. MAINTAIN TOP OF SUBGRADE IN A FREE-DRAINING CONDITION.

3. DO NOT STOCK PILE MATERIAL ON TOP OF SUBGRADE UNLESS AUTHORIZED BY CONSTRUCTION MANAGER.

4. COMPACT THE TOP 12 INCHES OF SUBGRADE TO A 95% COMPACTION AT A MAXIMUM DRY DENSITY AS DETERMINED BY ASTM 0-1557 OR WITHIN PLUS OR MINUS 3% OF THE OPTIMUM MOISTURE CONTENT.

5. CONSTRUCT TOP OF SUBGRADE WITHIN 1 INCH OF ESTABLISHED GRADE AND CROSS SECTION.

J. GEOTEXTILE FABRIC

1. LAY GEOTEXTILE FABRIC OVER COMPACTED SUBGRADE IN THE COMPOUND AREA AND UNDER LENGTH OF ROAD (WHEN REQUIRED). LAP ALL JOINTS TO A MINIMUM OF 36 INCHES.

K. GRAVEL SURFACING

1. CONSTRUCT GRAVEL SURFACING AREAS USING CRUSHED AGGREGATE BASE AND FINISH COURSES AS SPECIFIED BY CONSTRUCTION MANAGER. SPREAD GRAVEL AND RAKE TO OBTAIN A UNIFORM SURFACE AREA.

L. LANDSCAPING

1. FURNISH, INSTALL AND MAINTAIN LANDSCAPE WORK AS SHOWN AND/OR REQUIRED WITHIN THE CONSTRUCTION DOCUMENTS OR AS SPECIFIED IN THE CONSTRUCTION SPECIFICATIONS.

M. CONCRETE FORM WORK

1. FORMS: SMOOTH AND FREE OF SURFACE IRREGULARITIES. UTILIZE FORM RELEASE AGENTS.

2. CHAMFER EXPOSED EDGES OF ALL TOWER FOUNDATION SHALL RECEIVE A 1/2 INCH BY 1/2 INCH 45 DEGREE CHAMFER. OTHER EXPOSED EDGES SHALL RECEIVE A TOOLED RADIUS FINISH.

3. UPON COMPLETION, REMOVE ALL FORMS INCLUDING THOSE CONCEALED OR BURIED.

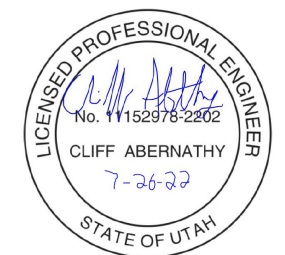
4. REFER TO STRUCTURAL DRAWINGS FOR ADDITIONAL REQUIREMENTS.

4. GENERAL NOTES

- IT IS THE CONTRACTOR'S RESPONSIBILITY TO EXAMINE ALL PLAN SHEETS AND SPECIFICATIONS AND COORDINATE HIS WORK WITH THE WORK OF ALL OTHER CONTRACTORS TO ENSURE THAT WORK PROGRESSION IS NOT INTERRUPTED.
- THE CONTRACTOR IS RESPONSIBLE FOR MAINTAINING A NEAT AND ORDERLY SITE, YARD AND GROUNDS. CONTRACTOR SHALL REMOVE AND DISPOSE OFF SITE ALL RUBBISH, WASTE MATERIAL, LITTER AND ALL FOREIGN SUBSTANCES. REMOVE PETROCHEMICAL SPILLS, STAINS AND OTHER FOREIGN DEPOSITS. RAKE GROUND TO A SMOOTH EVEN-TEXTURED SURFACE.
- THE PLANS SHOW SOME KNOWN SUBSURFACE STRUCTURE ABOVE GROUND STRUCTURES AND/OR UTILITIES BELIEVED TO EXIST IN THE WORKING AREA, EXACT LOCATION OF WHICH MAY VARY FROM THE LOCATION INDICATED. IN PARTICULAR THE CONTRACTOR IS WARNED THAT THE EXACT OR EVEN APPROXIMATE LOCATION OF SUCH PIPELINES, SUBSURFACE STRUCTURES AND/OR UTILITIES IN THE AREA MAY BE SHOWN OR MAY NOT BE SHOWN AND IT SHALL BE HIS RESPONSIBILITY TO PROCEED WITH GREAT CARE IN 48 HOURS BEFORE YOU DIG, DRILL OR BLAST CALL LOCAL UTILITIES LOCATOR COMPANY.
- THE OWNER OR OWNER'S REPRESENTATIVE SHALL BE NOTIFIED IN WRITING OF ANY CONDITIONS THAT VARY FROM THOSE SHOWN ON THE PLANS. THE CONTRACTOR'S WORK SHALL NOT VARY FROM THE PLANS WITHOUT THE EXPRESSED APPROVAL OF THE OWNER OR THE OWNER'S REPRESENTATIVE.
- THE CONTRACTOR IS INSTRUCTED TO COOPERATE WITH ANY AND ALL OTHER CONTRACTORS PERFORMING WORK ON THE SITE DURING THE PERFORMANCE OF THIS CONTRACT.
- THE CONTRACTOR SHALL RESTORE ALL DAMAGED, PUBLIC OR PRIVATE PROPERTY TO AT LEAST AS GOOD OF CONDITION AS BEFORE DISTURBED AS DETERMINED BY THE OWNER OR OWNER'S REPRESENTATIVE.
- THE CONTRACTOR SHALL COMPLY WITH ALL REQUIRED PERMITS.
- THE CONTRACTOR SHALL PROTECT EXISTING PROPERTY LINE MONUMENTATION. ANY MONUMENTATION DISTURBED OR DESTROYED, AS JUDGED BY THE OWNER OR OWNER'S REPRESENTATIVE, SHALL BE REPLACED.
- ALL TRENCH EXCAVATION AND ANY REQUIRED SHEETING AND SHORING SHALL BE DONE IN ACCORDANCE WITH OSHA REGULATIONS FOR CONSTRUCTION.
- CONTRACTOR SHALL BE RESPONSIBLE FOR DEWATERING AND THE MAINTENANCE OF SURFACE DRAINAGE DURING THE COURSE OF WORK.
- ALL UTILITY WORK INVOLVING CONNECTIONS TO EXISTING SYSTEMS SHALL BE COORDINATED WITH THE OWNER OR OWNER'S REPRESENTATIVE BEFORE EACH AND EVERY CONNECTION TO EXISTING SYSTEMS IS MADE.
- MAINTAIN FLOW FOR ALL EXISTING UTILITIES
- ALL SITE FILL SHALL MEET SELECTED FILL STANDARDS AS DEFINED BY THE OWNER OR OWNER'S REPRESENTATIVE ON THE DRAWINGS OR GEOTECHNICAL REPORT RECOMMENDATIONS.
- CONTRACTOR TO GRADE ALL AREAS OF THE SITE TO PROVIDE POSITIVE DRAINAGE AWAY FROM THE BUILDING OR EQUIPMENT PAD AND THE TOWER.
- IF NECESSARY, THE CONTRACTOR IS RESPONSIBLE FOR REPAIRING AND REGRADING ROADWAY AND ANY DISTURBED AREAS FOLLOWING INSTALLATION OF UTILITIES.
- NO COMMERCIAL MESSAGES TO BE DISPLAYED ON TOWER
- WATER AND SEWER SERVICES ARE NOT REQUIRED FOR THE DEVELOPMENT
- THE CONTRACTOR SHALL FURNISH AND INSTALL ALL MATERIAL UNLESS OTHERWISE NOTED.
- ELECTRICAL DRAWINGS HAVE BEEN REVIEWED AND SEALED FOR STRUCTURAL PURPOSES ONLY.



1825 W. WALNUT HILL LANE, SUITE 120
IRVING, TEXAS 75038
1-855-669-5421



DRAWING SCALES ARE INTENDED FOR 24"x36" SIZE PRINTED MEDIA ONLY.

SUBMITTALS			
REV	DATE	DESCRIPTION	BY
A	10/06/21	90% CD	TRN
B	02/16/22	90% CD	SUA
C	07/07/22	90% CD	ARK
0	07/21/22	100% CD	SUD

SITE INFORMATION

SITE ID:
UTLO2005

RFDS NAME:
UTLO2005

SITE NAME:
11400 S & 700 E

SITE ADDRESS:
656 EAST AND 11400 SOUTH
DRAPER, UT 84020

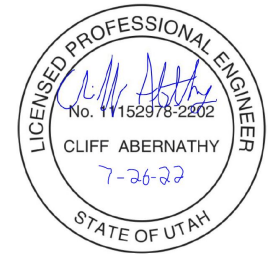
SHEET DESCRIPTION

GENERAL NOTES

SHEET No.

GN-1

THIS IS NOT A SURVEY. ALL PROPERTY BOUNDARIES, ORIENTATION OF TRUE NORTH, EASEMENTS, STREET WIDTHS, AND SETBACKS WERE OBTAINED FROM A GEOGRAPHIC INFORMATION SYSTEM (GIS) OR OTHER MEANS, AND ARE APPROXIMATE.



DRAWING SCALES ARE INTENDED FOR 24"x36" SIZE PRINTED MEDIA ONLY.

SUBMITTALS			
REV	DATE	DESCRIPTION	BY
A	10/06/21	90% CD	TRN
B	02/16/22	90% CD	SUA
C	07/07/22	90% CD	ARK
D	07/21/22	100% CD	SUD

SITE INFORMATION

SITE ID:
UTL02005

RFDS NAME:
UTL02005

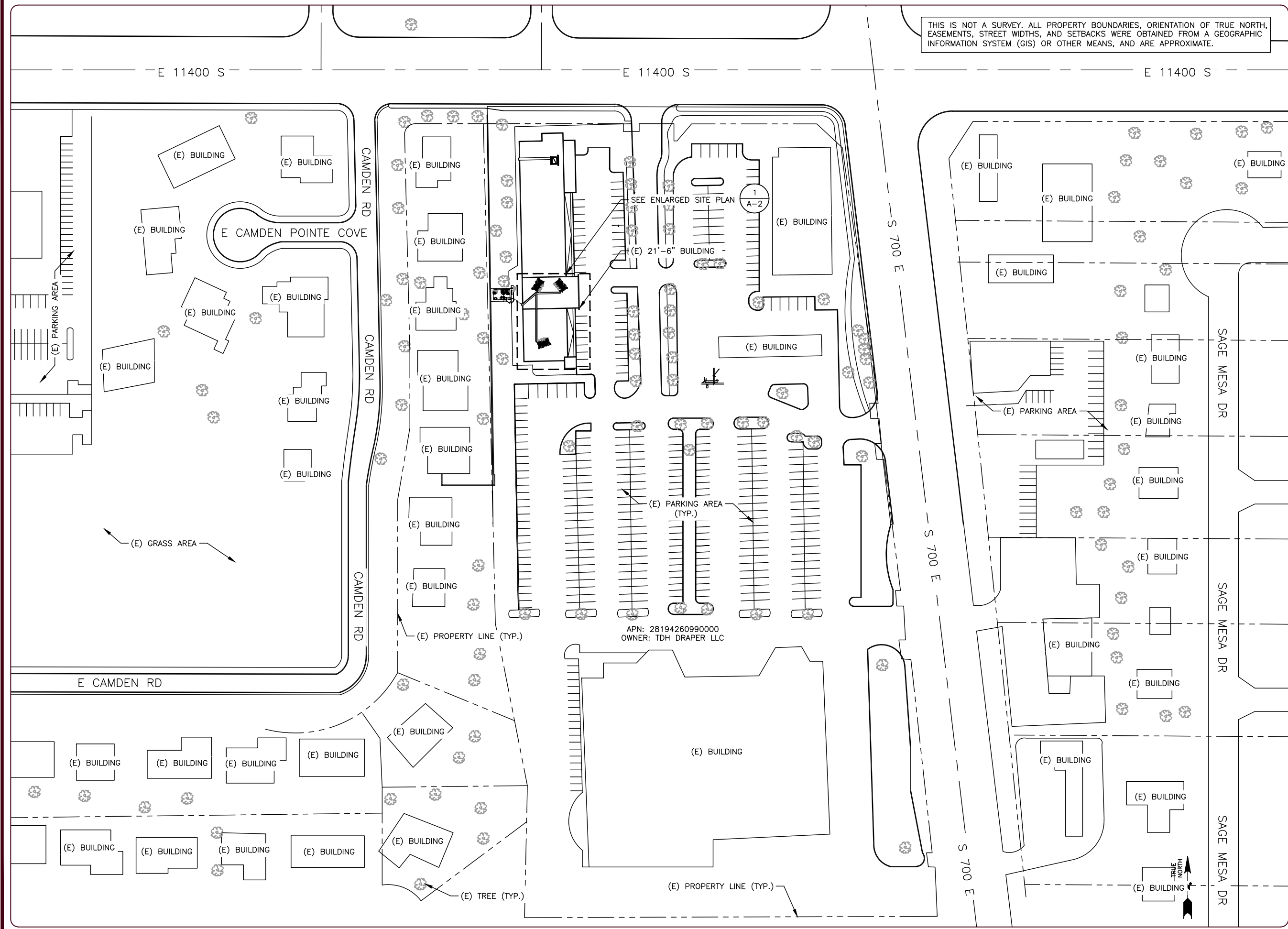
SITE NAME:
11400 S & 700 E

SITE ADDRESS:
656 EAST AND 11400 SOUTH
DRAPER, UT 84020

SHEET DESCRIPTION

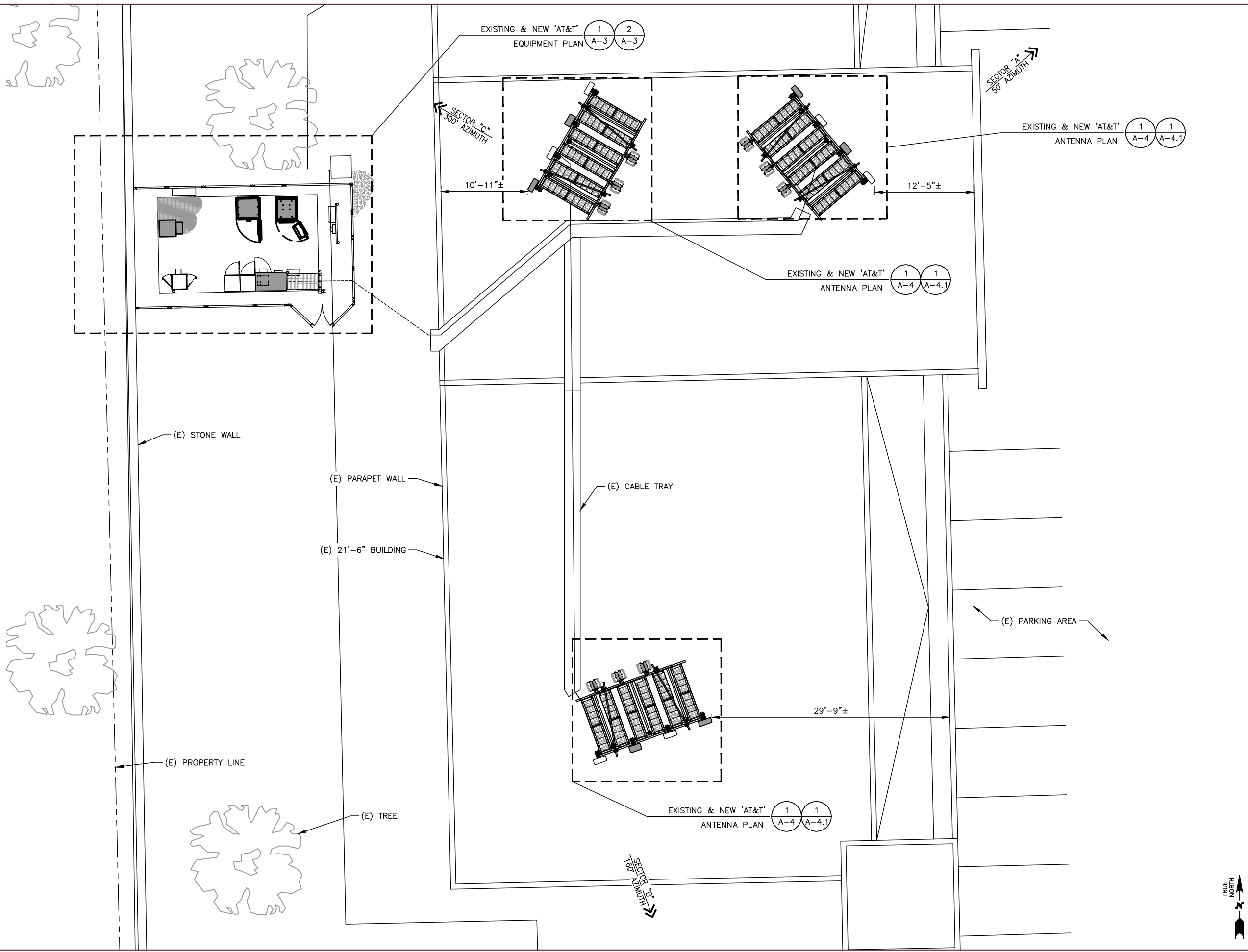
SITE PLAN

SHEET No.
A-1

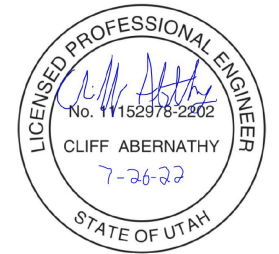


APN: 28194260990000
OWNER: TDH DRAPER LLC

1 OVERALL SITE PLAN
A-1 SCALE (11" X 17"): 1" = 50'-0" 0 25 50 100 150



1825 W. WALNUT HILL LANE, SUITE 120
IRVING, TEXAS 75038
1-855-669-5421



DRAWING SCALES ARE INTENDED FOR 24"x36" SIZE PRINTED MEDIA ONLY.

SUBMITTALS			
REV	DATE	DESCRIPTION	BY
A	10/06/21	90% CD	TRN
B	02/16/22	90% CD	SUA
C	07/07/22	90% CD	ARK
D	07/21/22	100% CD	SUD

SITE INFORMATION

SITE ID:
UTL02005

RFDS NAME:
UTL02005

SITE NAME:
11400 S & 700 E

SITE ADDRESS:
656 EAST AND 11400 SOUTH
DRAPER, UT 84020

SHEET DESCRIPTION

ENLARGED SITE PLAN

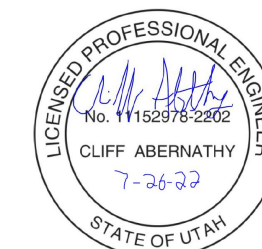
SHEET No.

A-2

$\frac{1}{A-2}$ ENLARGED SITE PLAN
SCALE (11" X 17"): $\frac{3}{16}" = 1'-0"$ 0 2'-8" 5'-4" 10'-8" 16'-0"



1825 W. WALNUT HILL LANE, SUITE 120
IRVING, TEXAS 75038
1-855-669-5421



DRAWING SCALES ARE INTENDED FOR 24"x36" SIZE
PRINTED MEDIA ONLY.

SUBMITTALS

REV	DATE	DESCRIPTION	BY
A	10/06/21	90% CD	TRN
B	02/16/22	90% CD	SUA
C	07/07/22	90% CD	ARK
D	07/21/22	100% CD	SUD

SITE INFORMATION

SITE ID:
UTL02005

RFDS NAME:
UTL02005

SITE NAME:
11400 S & 700 E

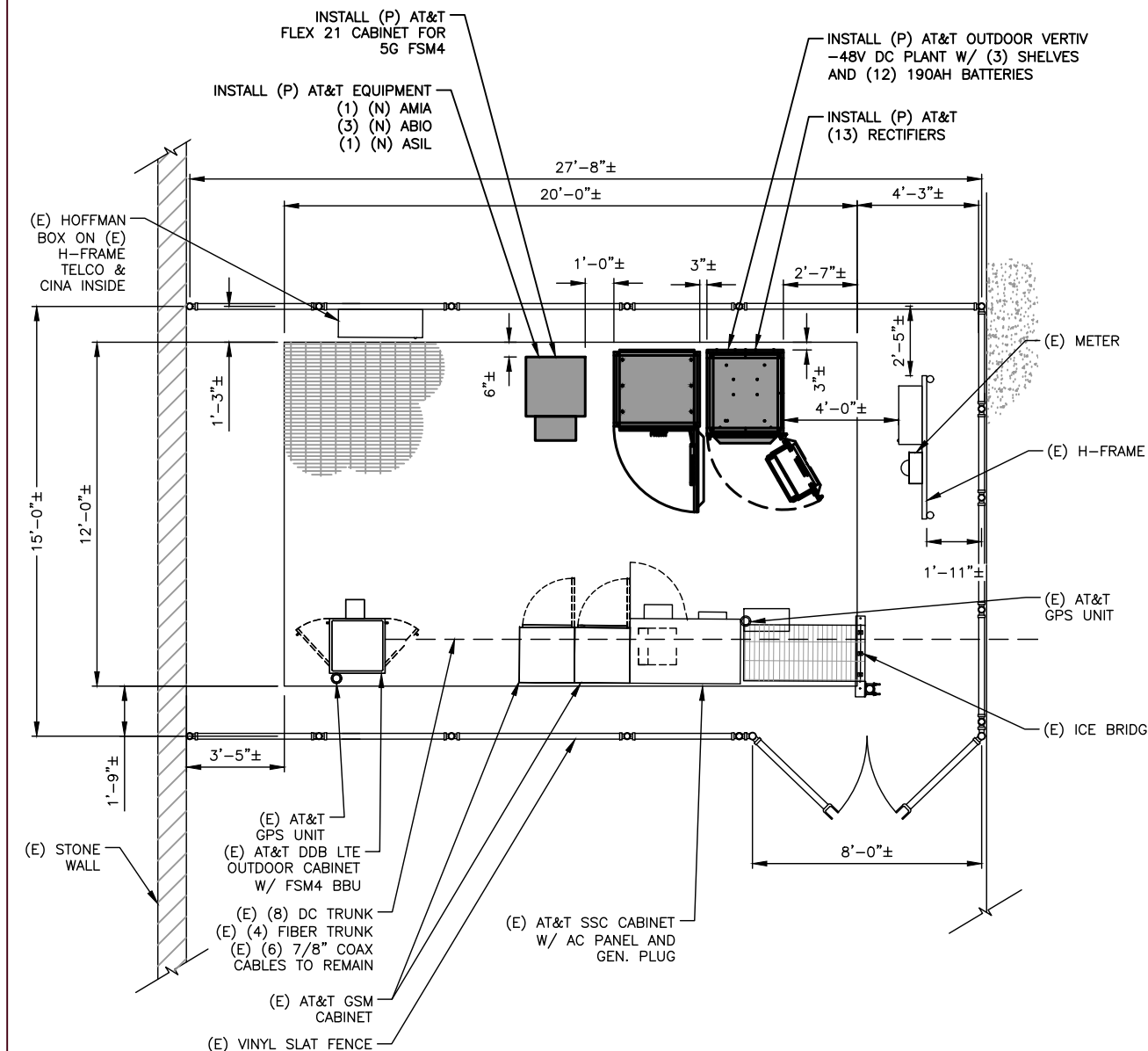
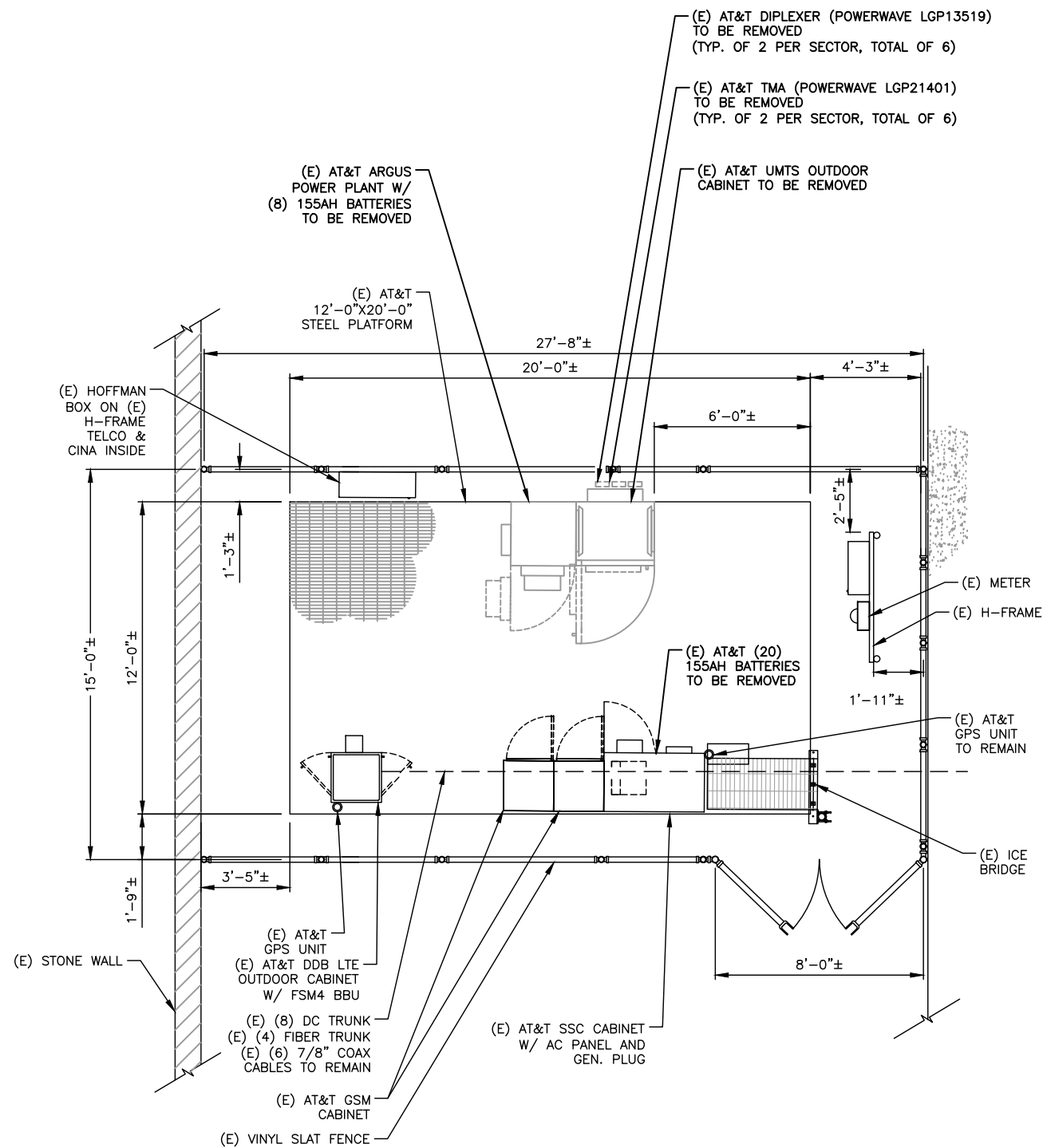
SITE ADDRESS:
656 EAST AND 11400 SOUTH
DRAPER, UT 84020

SHEET DESCRIPTION

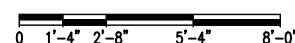
EXISTING & PROPOSED
EQUIPMENT SHELTER PLANS

SHEET No.

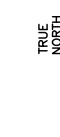
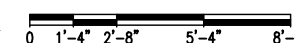
A-3



1 EXISTING EQUIPMENT SHELTER PLAN
A-3 SCALE (11" X 17"): 3/8" = 1'-0"

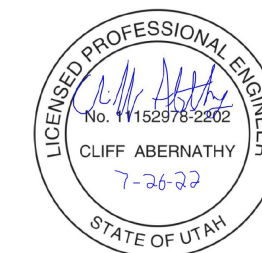


2 PROPOSED EQUIPMENT SHELTER PLAN
A-3 SCALE (11" X 17"): 3/8" = 1'-0"





1825 W. WALNUT HILL LANE, SUITE 120
IRVING, TEXAS 75038
1-855-669-5421



DRAWING SCALES ARE INTENDED FOR 24"x36" SIZE
PRINTED MEDIA ONLY.

SUBMITTALS

REV	DATE	DESCRIPTION	BY
A	10/06/21	90% CD	TRN
B	02/16/22	90% CD	SUA
C	07/07/22	90% CD	ARK
D	07/21/22	100% CD	SUD

SITE INFORMATION

SITE ID:
UTL02005

RFDS NAME:
UTL02005

SITE NAME:
11400 S & 700 E

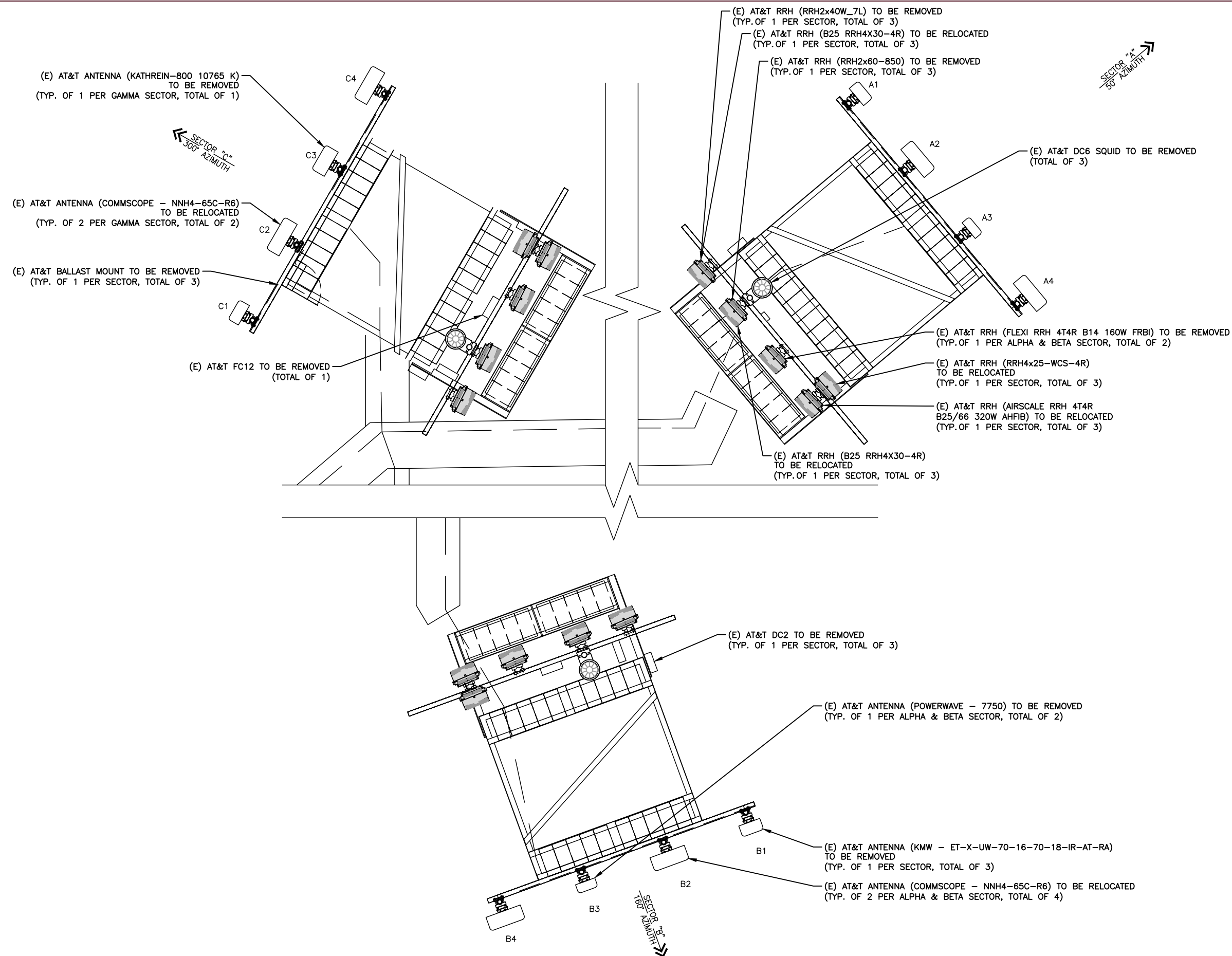
SITE ADDRESS:
656 EAST AND 11400 SOUTH
DRAPER, UT 84020

SHEET DESCRIPTION

EXISTING
ANTENNA PLANS

SHEET No.

A-4

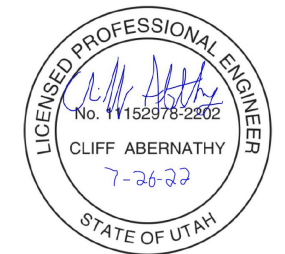


1 EXISTING ANTENNA PLAN
A-4 SCALE (11" X 17"): 3/8" = 1'-0"





1825 W. WALNUT HILL LANE, SUITE 120
IRVING, TEXAS 75038
1-855-669-5421



DRAWING SCALES ARE INTENDED FOR 24"x36" SIZE PRINTED MEDIA ONLY.

SUBMITTALS

REV	DATE	DESCRIPTION	BY
A	10/06/21	90% CD	TRN
B	02/16/22	90% CD	SUA
C	07/07/22	90% CD	ARK
D	07/21/22	100% CD	SUD

SITE INFORMATION

SITE ID:
UTL02005

RFDS NAME:
UTL02005

SITE NAME:
11400 S & 700 E

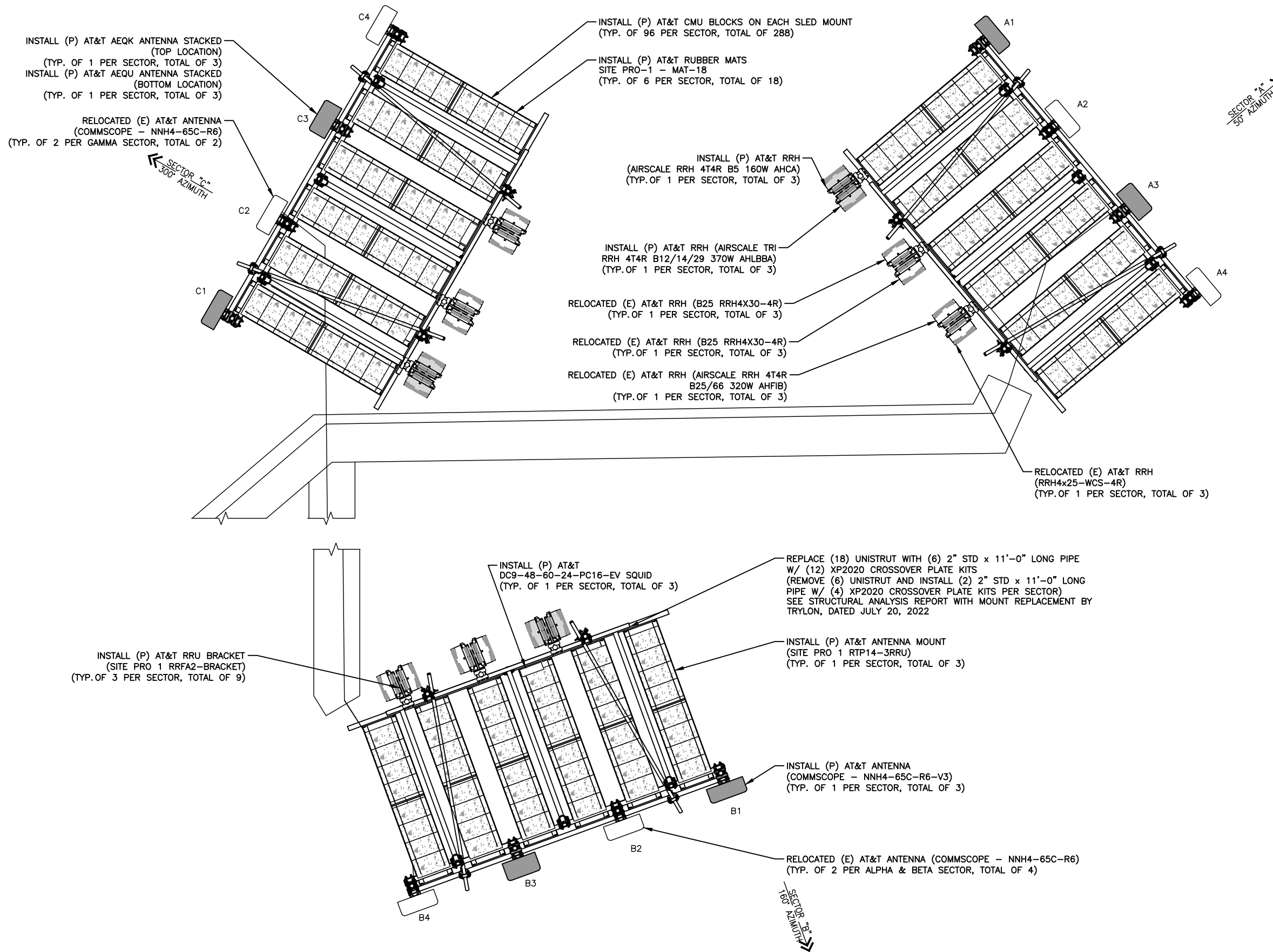
SITE ADDRESS:
656 EAST AND 11400 SOUTH
DRAPER, UT 84020

SHEET DESCRIPTION

PROPOSED
ANTENNA PLANS

SHEET No.

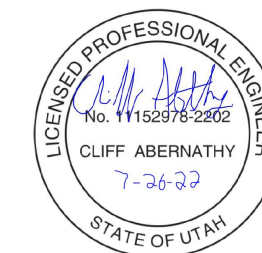
A-4.1



1 PROPOSED ANTENNA PLAN
A-4.1 SCALE (11" X 17"): 3/8" = 1'-0" 0 1'-4" 2'-8" 5'-4" 8'-0"



1825 W. WALNUT HILL LANE, SUITE 120
IRVING, TEXAS 75038
1-855-669-5421



DRAWING SCALES ARE INTENDED FOR 24"x36" SIZE
PRINTED MEDIA ONLY.

SUBMITTALS

REV	DATE	DESCRIPTION	BY
A	10/06/21	90% CD	TRN
B	02/16/22	90% CD	SUA
C	07/07/22	90% CD	ARK
0	07/21/22	100% CD	SUD

SITE INFORMATION

SITE ID:
UTLO2005

RFDS NAME:
UTLO2005

SITE NAME:
11400 S & 700 E

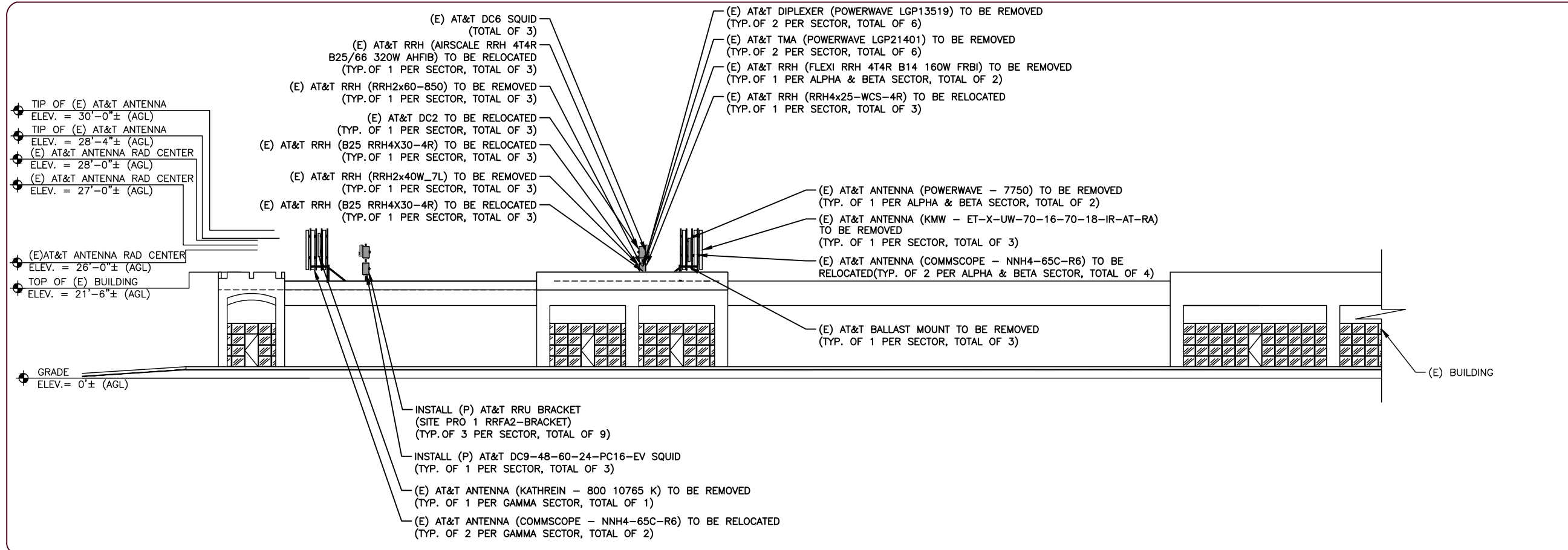
SITE ADDRESS:
656 EAST AND 11400 SOUTH
DRAPER, UT 84020

SHEET DESCRIPTION

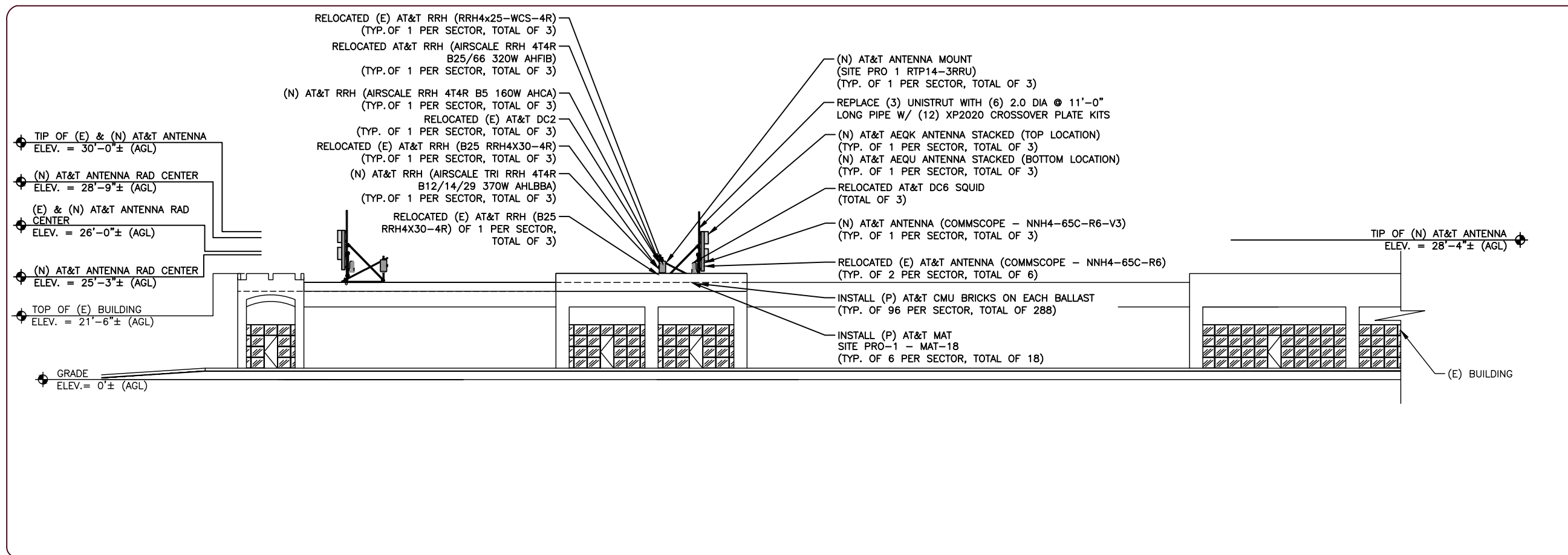
EXISTING AND PROPOSED
BUILDING ELEVATION

SHEET No.

A-5



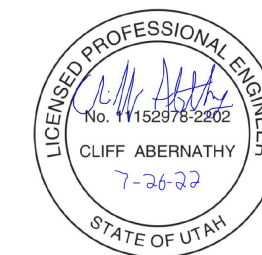
1 EXISTING ELEVATION-EAST
A-5 SCALE (11" X 17"): 3/32" = 1'-0" 0 5'-4" 10'-8" 21'-4" 32'-0"



2 PROPOSED ELEVATION-EAST
A-5 SCALE (11" X 17"): 3/32" = 1'-0" 0 5'-4" 10'-8" 21'-4" 32'-0"



1825 W. WALNUT HILL LANE, SUITE 120
IRVING, TEXAS 75038
1-855-669-5421



ANTENNA AND EQUIPMENT SCHEDULE UTL02005										
SECTOR	TECH	AZIMUTH	ANTENNA				RADIOS/TMAs/SQUID/DIPLEXER	HYBRID CABLES		
			MANUFACTURER	MODEL NO. (PORT)	SIZE & WEIGHT	STATUS			RAD CENTER	
SECTOR '1'	1	LTE 700 / LTE 1900	50°	KMW	ET-X-UW-70-16-70-18-IR-AT-RA	96"x12"x6.3" (48.5 lbs)	EXISTING	26'-0"	(1) RRH2X40W_7L (1) B25 RRH4X30-4R	(8) DC TRUNK (4) FIBER TRUNK (6) 7/8" COAX
	2	LTE 850 / LTE 1900	50°	COMMSCOPE	NNH4-65C-R6	96"x19.6"x7.8" (99.2 lbs)	EXISTING	26'-0"	(1) RRH2X60-850 (1) B25 RRH4X30-4R	
	3	UMTS 850	50°	POWERWAVE	7750.00	57"x11"x5" (35 lbs)	EXISTING	28'-6"	-	
	4	LTE 700 / LTE WCS LTE AWS	50°	COMMSCOPE	NNH4-65C-R6	96"x19.6"x7.8" (99.2 lbs)	EXISTING	26'-0"	(1) FLEXI RRH 4T4R B14 160W FRBI (1) RRH4X25-WCS-4R (1) AIRSCALE DUAL RRH 4T4R B25/66 320W AHFIB	
SECTOR '2'	1	LTE 700 / LTE 1900	160°	KMW	ET-X-UW-70-16-70-18-IR-AT-RA	96"x12"x6.3" (48.5 lbs)	EXISTING	26'-0"	(1) RRH2X40W_7L (1) B25 RRH4X30-4R	
	2	LTE 850 / LTE 1900	160°	COMMSCOPE	NNH4-65C-R6	96"x19.6"x7.8" (99.2 lbs)	EXISTING	26'-0"	(1) RRH2X60-850 (1) B25 RRH4X30-4R	
	3	UMTS 850	160°	POWERWAVE	7750.00	57"x11"x5" (35 lbs)	EXISTING	28'-6"	-	
	4	LTE 700 / LTE WCS LTE AWS	160°	COMMSCOPE	NNH4-65C-R6	96"x19.6"x7.8" (99.2 lbs)	EXISTING	26'-0"	(1) FLEXI RRH 4T4R B14 160W FRBI (1) RRH4X25-WCS-4R (1) AIRSCALE DUAL RRH 4T4R B25/66 320W AHFIB	
SECTOR '3'	1	LTE 700 / LTE 1900	300°	KMW	ET-X-UW-70-16-70-18-IR-AT-RA	96"x12"x6.3" (48.5 lbs)	EXISTING	26'-0"	(1) RRH2X40W_7L (1) B25 RRH4X30-4R	
	2	LTE 850 / LTE 1900	300°	COMMSCOPE	NNH4-65C-R6	96"x19.6"x7.8" (99.2 lbs)	EXISTING	26'-0"	(1) RRH2X60-850 (1) B25 RRH4X30-4R	
	3	LTE 700 / LTE WCS LTE AWS	300°	COMMSCOPE	NNH4-65C-R6	UNKNOWN	EXISTING	27'-6"	(1) FLEXI RRH 4T4R B14 160W FRBI (1) RRH4X25-WCS-4R (1) AIRSCALE DUAL RRH 4T4R B25/66 320W AHFIB	
	4	UMTS 850	300°	KATHREIN	800 10765 K	96"x19.6"x7.8" (99.2 lbs)	EXISTING	26'-0"	-	

EXISTING ANTENNA SCHEDULE

SCALE: 1
N.T.S.

DRAWING SCALES ARE INTENDED FOR 24"x36" SIZE PRINTED MEDIA ONLY.

SUBMITTALS

REV	DATE	DESCRIPTION	BY
A	10/06/21	90% CD	TRN
B	02/16/22	90% CD	SUA
C	07/07/22	90% CD	ARK
0	07/21/22	100% CD	SUD

SITE INFORMATION

SITE ID:
UTL02005

RFDS NAME:
UTL02005

SITE NAME:
11400 S & 700 E

SITE ADDRESS:
656 EAST AND 11400 SOUTH
DRAPER, UT 84020

SHEET DESCRIPTION

ANTENNA AND EQUIPMENT
SCHEDULE

SHEET No.

A-6

ANTENNA AND EQUIPMENT SCHEDULE UTL02005										
SECTOR	TECH	AZIMUTH	ANTENNA				RADIOS/TMAs/SQUID	HYBRID CABLES		
			MANUFACTURER	MODEL NO. (PORT)	SIZE & WEIGHT	STATUS			RAD CENTER	
SECTOR '1'	1	LTE 700 / LTE 1900	50°	COMMSCOPE	NNH4-65C-R6-V3	96.0"x19.6"x7.8" (102.1 lbs)	NEW	26'-0"	(1) AIRSCALE DUAL RRH 4T4R B12/14/29 370W AHLBBA (1) B25 RRH4X30-4R	(8) DC TRUNK (4) FIBER TRUNK (6) 7/8" COAX
	2	LTE 850 / LTE 1900	50°	COMMSCOPE	NNH4-65C-R6	96"x19.6"x7.8" (99.2 lbs)	EXISTING	26'-0"	(1) AIRSCALE RRH 4T4R B5 160W AHCA (1) B25 RRH4X30-4R	
	3	5G CBAND/ 5G DoD	50°	NOKIA	AEQK+AEQU (STACKED)	59.0"x17.7"x9.5" (198.4 lbs)	NEW	27'-0"	INTEGRATED AIRSCALE RRH	
	4	LTE WCS / LTE AWS	50°	COMMSCOPE	NNH4-65C-R6	96"x19.6"x7.8" (99.2 lbs)	EXISTING	26'-0"	(1) RRH4X25-WCS-4R (1) AIRSCALE DUAL RRH 4T4R B25/66 320W AHFIB	
SECTOR '2'	1	LTE 700 / LTE 1900	160°	COMMSCOPE	NNH4-65C-R6-V3	96.0"x19.6"x7.8" (102.1 lbs)	NEW	26'-0"	(1) AIRSCALE DUAL RRH 4T4R B12/14/29 370W AHLBBA (1) B25 RRH4X30-4R	
	2	LTE 850 / LTE 1900	160°	COMMSCOPE	NNH4-65C-R6	96"x19.6"x7.8" (99.2 lbs)	EXISTING	26'-0"	(1) AIRSCALE RRH 4T4R B5 160W AHCA (1) B25 RRH4X30-4R	
	3	5G CBAND/ 5G DoD	160°	NOKIA	AEQK+AEQU (STACKED)	59.0"x17.7"x9.5" (198.4 lbs)	NEW	27'-0"	INTEGRATED AIRSCALE RRH	
	4	LTE WCS / LTE AWS	160°	COMMSCOPE	NNH4-65C-R6	96"x19.6"x7.8" (99.2 lbs)	EXISTING	26'-0"	(1) RRH4X25-WCS-4R (1) AIRSCALE DUAL RRH 4T4R B25/66 320W AHFIB	
SECTOR '3'	1	LTE 700 / LTE 1900	300°	COMMSCOPE	NNH4-65C-R6-V3	96.0"x19.6"x7.8" (102.1 lbs)	NEW	26'-0"	(1) AIRSCALE DUAL RRH 4T4R B12/14/29 370W AHLBBA (1) B25 RRH4X30-4R	
	2	LTE 850 / LTE 1900	300°	COMMSCOPE	NNH4-65C-R6	96"x19.6"x7.8" (99.2 lbs)	EXISTING	26'-0"	(1) AIRSCALE RRH 4T4R B5 160W AHCA (1) B25 RRH4X30-4R	
	3	5G CBAND/ 5G DoD	300°	NOKIA	AEQK+AEQU (STACKED)	59.0"x17.7"x9.5" (198.4 lbs)	NEW	27'-0"	INTEGRATED AIRSCALE RRH	
	4	LTE WCS / LTE AWS	300°	COMMSCOPE	NNH4-65C-R6	96"x19.6"x7.8" (99.2 lbs)	EXISTING	26'-0"	(1) RRH4X25-WCS-4R (1) AIRSCALE DUAL RRH 4T4R B25/66 320W AHFIB	

NEW ANTENNA SCHEDULE

SCALE: 2
N.T.S.

DRAWING SCALES ARE INTENDED FOR 24"x36" SIZE PRINTED MEDIA ONLY.

SUBMITTALS			
REV	DATE	DESCRIPTION	BY
A	10/06/21	90% CD	TRN
B	02/16/22	90% CD	SUA
C	07/07/22	90% CD	ARK
D	07/21/22	100% CD	SUD

SITE INFORMATION

SITE ID:
UTL02005

RFDS NAME:
UTL02005

SITE NAME:
11400 S & 700 E

SITE ADDRESS:
656 EAST AND 11400 SOUTH
DRAPER, UT 84020

SHEET DESCRIPTION

EQUIPMENT DETAILS

SHEET No.

A-7

PARTS LIST						
ITEM	QTY	PART NO.	PART DESCRIPTION	LENGTH	UNIT WT.	NET WT.
1	5	P2174	2-3/8" OD X 174" SCH 40 GALVANIZED PIPE	174 in	55.75	278.73
2	3	P2126	2-3/8" OD X 126" SCH 40 GALVANIZED PIPE	126 in	40.75	122.26
3	2	P284	2-3/8" X 84" SCH 40 GALVANIZED PIPE	84 in	26.91	53.82
4	2	P263	2-3/8" X 63" SCH 40 GALVANIZED PIPE	63 in	20.18	40.37
5	2	P1126	1 1/4" X 126" SCH 40 PIPE (STIFF ARM)	126 in	25.12	50.23
6	6	X-232696	BALLAST TRAY WELDMENT - SITE PRO 1		66.53	399.19
7	2	X-RTP14	FRONT AND BACK HORIZONTAL TRAY SUPPORT WELDMENT		64.38	128.77
8	6	UNT10	UNISTRUT		20.38	122.27
9	8	X-127594	FLAT DISK CLAMP PLATE 4" CENTERS (GALV.)		2.48	19.86
10	16	X-100064	CLAMP (S) (4" V-CLAMP) GALVANIZED		0.91	14.61
11	16	SCX1	CROSSOVER PLATE 2-3/8" X 2-3/8"		3.71	59.34
12	64	X-UB1212	1/2" X 2-1/2" X 4-1/2" X 2" U-BOLT (HDG.)		0.26	16.45
13	32	G1204	1/2" x 4" HDG HEX BOLT GR5 FULL THREAD	4 in	0.27	8.64
14	24	G1202	1/2" x 2" HDG HEX BOLT GR5	2 in	0.18	4.22
15	184	G12FW	1/2" HDG USS FLATWASHER		0.03	6.27
16	184	G12LW	1/2" HDG LOCKWASHER		0.01	2.56
17	184	G12NUT	1/2" HDG HEAVY 2H HEX NUT		0.07	13.18
18	12	SS38R-8	3/8" X 8" THREADED ROD (STAINLESS STEEL)		0.25	3.01
19	24	SQW38	3/8" SQUARE WASHER (GALV.)	2 in	0.27	6.55
20	24	SS38LW	3/8" SS LOCKWASHER		0.01	0.16
21	24	SS38NUT	3/8" SS HEX NUT		0.02	0.44
TOTAL WT. #					1374.49	

TOLERANCE NOTES

TOLERANCES ON DIMENSIONS, UNLESS OTHERWISE NOTED ARE:
 SAWED, SHEARED AND GAS CUT EDGES ($\pm 0.030"$)
 DRILLED AND GAS CUT HOLES ($\pm 0.030"$) - NO CONING OF HOLES
 LASER CUT EDGES AND HOLES ($\pm 0.010"$) - NO CONING OF HOLES
 BENDS ARE $\pm 1/2$ DEGREE
 ALL OTHER MACHINING ($\pm 0.030"$)
 ALL OTHER ASSEMBLY ($\pm 0.060"$)

PROPRIETARY NOTE:
THE DATA AND TECHNIQUES CONTAINED IN THIS DRAWING ARE PROPRIETARY INFORMATION OF VALMONT INDUSTRIES AND CONSIDERED A TRADE SECRET. ANY USE OR DISCLOSURE WITHOUT THE CONSENT OF VALMONT INDUSTRIES IS STRICTLY PROHIBITED.

DESCRIPTION
3 LEVEL RRU / EQUIPMENT RACK FOR RTP FRAMES

CPD NO.	DRAWN BY CEK 4/23/2015	ENG. APPROVAL
CLASS 81	SUB 01	DRAWING USAGE CUSTOMER
		CHECKED BY BMC 4/24/2015

SITE PRO 1

Locations:
New York, NY
Atlanta, GA
Los Angeles, CA
Plymouth, IN
Salem, OR
Dallas, TX

Engineering Support Team:
1-888-753-7446

A valmont COMPANY

PART NO. RTP14-3RRU	PAGE 1 OF 3
DWG. NO. RTP14-3RRU	

RR-FA2



Fast Access RRU Mount Kit for Back-to-Back Mounting of (2) RRUs to Round, Straight or Tapered legs; For patents, see www.cs-pat.com.

Product Classification

Product Type Remote radio head unit mount

General Specifications

Tower Taper Non-tapered | Tapered

Dimensions

Height 416.56 mm | 16.4 in

Width 218.44 mm | 8.6 in

Length 457.2 mm | 18 in

Mounting Diameter 2, maximum 142.24 mm | 5.6 in

Mounting Diameter 2, minimum 0 mm | 0 in

Mounting Diameter, maximum 142.24 mm | 5.6 in

Mounting Diameter, minimum 0 mm | 0 in

Material Specifications

Material Type Hot dip galvanized steel

Packaging and Weights

Included Clamps | Hardware

Packaging quantity 2

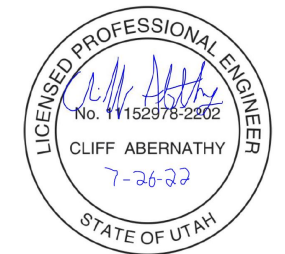
Weight, net 16.329 kg | 36 lb

Regulatory Compliance/Certifications

Agency	Classification
CHINA-ROHS	Below maximum concentration value



1825 W. WALNUT HILL LANE, SUITE 120
IRVING, TEXAS 75038
1-855-669-5421



DRAWING SCALES ARE INTENDED FOR 24"x36" SIZE PRINTED MEDIA ONLY.

SUBMITTALS			
REV	DATE	DESCRIPTION	BY
A	10/06/21	90% CD	TRN
B	02/16/22	90% CD	SUA
C	07/07/22	90% CD	ARK
0	07/21/22	100% CD	SUD

SITE INFORMATION
SITE ID: UTLO2005
RFDS NAME: UTLO2005
SITE NAME: 11400 S & 700 E
SITE ADDRESS: 656 EAST AND 11400 SOUTH DRAPER, UT 84020

SHEET DESCRIPTION
EQUIPMENT DETAILS

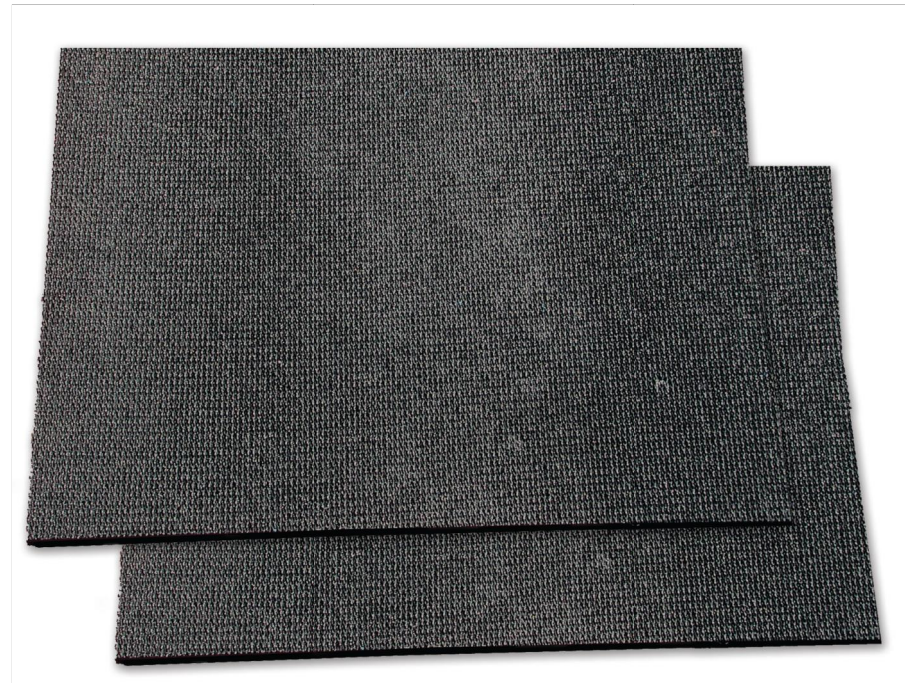
SHEET No.
A-8



A valmont COMPANY



MAT18: Rubber Mats



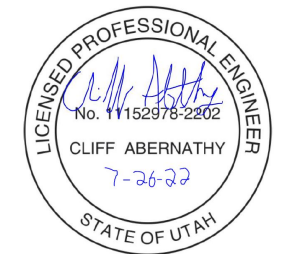
Features:

- Manufactured from UV-resistant 1/2" thick rubber
- Six mats required for use with Non-Penetrating Tripods
- Four mats required for use with Non-Penetrating Roof-Top Frames

Part #	Size
MAT18	1/2" x 18" x 48"



1825 W. WALNUT HILL LANE, SUITE 120
IRVING, TEXAS 75038
1-855-669-5421



DRAWING SCALES ARE INTENDED FOR 24"x36" SIZE
PRINTED MEDIA ONLY.

SUBMITTALS			
REV	DATE	DESCRIPTION	BY
A	10/06/21	90% CD	TRN
B	02/16/22	90% CD	SUA
C	07/07/22	90% CD	ARK
0	07/21/22	100% CD	SUD

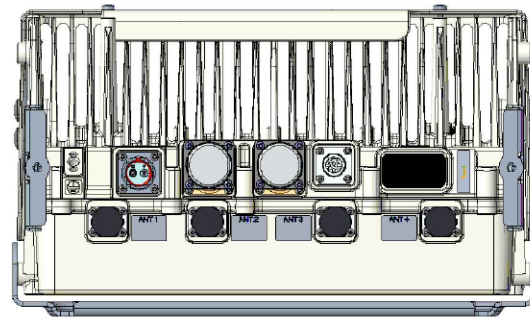
SITE INFORMATION
SITE ID: UTLO2005
RFDS NAME: UTLO2005
SITE NAME: 11400 S & 700 E
SITE ADDRESS: 656 EAST AND 11400 SOUTH DRAPER, UT 84020

SHEET DESCRIPTION
EQUIPMENT DETAILS

SHEET No.
A-9

AirScale RRH 4T4R B12/14/29 370W AHLBBA
AHLBBA - 475082A

AHLBBA	
Supported Frequency Bands	3GPP Band 12, Band 14, Band 29
Frequencies	Band 12: RX 699 MHz - 714 MHz, TX 729 MHz - 744 MHz Band 14: RX 788 MHz - 798 MHz, TX 758 MHz - 768 MHz Band 29: RX NA, TX 718 - 728MHz
Number of TX/RX paths/pipes	4 pipes 4TX/4RX B12 B14 + 2TX B29. B29 on Ant1 and Ant4 only
Instantaneous Bandwidth IBW	Full Band (LTE)
Occupied Bandwidth OBW	Full Band
Output Power	Port 1 and 4: 105W [80W (B12/B14 shared) + 25W (B29)] Port 2 and 3: 80W [B12/B14] Total: 370W per RRH
RF Sharing	LTE/NR/NB-IOT support
Supply Voltage / Voltage Range	DC-48 V / -40 V to -60 V, Circular connector
Typical Power Consumption	TBD [100% load]
Antenna Ports	4 ports, 4.3-10
Optical Ports	2xCPR1 9.8Gbps (Rate 7)
ALD Control Interfaces	AISG3.0 from ANT1, 2, 3, 4 and RET (Power supply ANT1 and ANT3)
Other Interfaces	External Alarm MDR-26 Serial connector (4 inputs, 1 Output) DC Circular Power Connector
PIMC	Yes



Operational Temperature Range	-40°C to 55°C
Standard Dimensions (mm) Height x width x depth	377x628x210
Volume (liters)	50
Weight (kg)	W/WO mounting bracket = 46 / 43
Ingress protection class	IP65
Installation options	Pole or Wall
Surge protection	Class II 5kA

1 AIRSCALE TRI RRH 4T4R B12/14/29 370W AHLBBA DETAIL
A-10 SCALE: NTS

NNH4-65C-R6-V3

- 12-port sector antenna, 4x 698-896 and 8x 1695-2360 MHz, 65° HPBW, 6x RET
- Features a downtilt range of 0-10° to provide for improved interference performance
 - Features broadband Low Band (698-896 MHz) and High Band (1695-2360 MHz) arrays for 4T4R (4x MIMO) capability for Band 14, AWS, PCS and WCS applications.
 - Independent tilt for all arrays.
 - Array configuration provides capability for 4T4R (4x MIMO) on Low band and Dual 4T4R (4x MIMO) on High band
 - Optimized SFR performance across all operating bands
 - Excellent wind loading characteristics

General Specifications

Antenna Type	Sector
Band	Multi-band
Grounding Type	RF connector inner conductor and body grounded to reflector and mounting bracket
Performance Note	Outdoor usage Wind loading figures are validated by wind tunnel measurements described in white paper WP-112334-EN
Radiome Material	Fiberglass, UV resistant
Radiator Material	Low loss circuit board
Reflector Material	Aluminum
RF Connector Interface	4.3-10 Female
RF Connector Location	Bottom
RF Connector Quantity, high band	8
RF Connector Quantity, low band	4
RF Connector Quantity, total	12
Remote Electrical Tilt (RET) Information	
RET Hardware	CommRET v2
RET Interface	8-pin DIN Female 8-pin DIN Male
RET Interface, quantity	1 female 1 male
Input Voltage	10-30 Vdc
Internal RET	High band (4) Low band (2)
Power Consumption, idle state, maximum	1 W

NNH4-65C-R6-V3

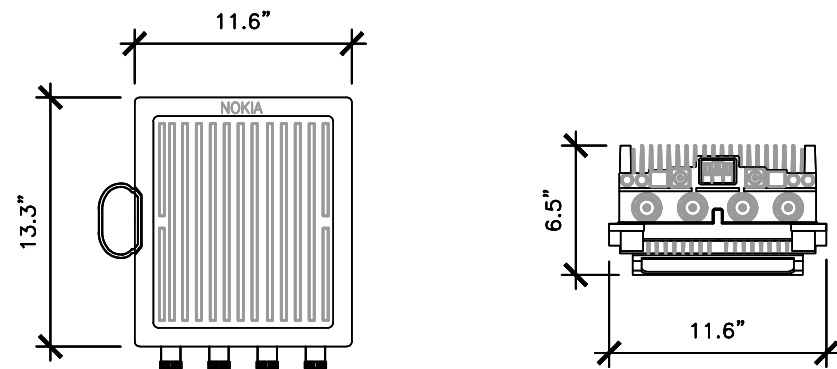
Power Consumption, normal conditions, maximum	8 W
Protocols	3GPP/4G/5G (4x MIMO-RET)
Dimensions	
Width	488 mm 19.209 in
Depth	197 mm 7.756 in
Length	368 mm 14.488 in
Net Weight, without mounting kit	45.8 kg 101.215 lb

2 COMMSCOPE-NNHH-65B-R4 ANTENNA DETAIL
A-10 SCALE: NTS

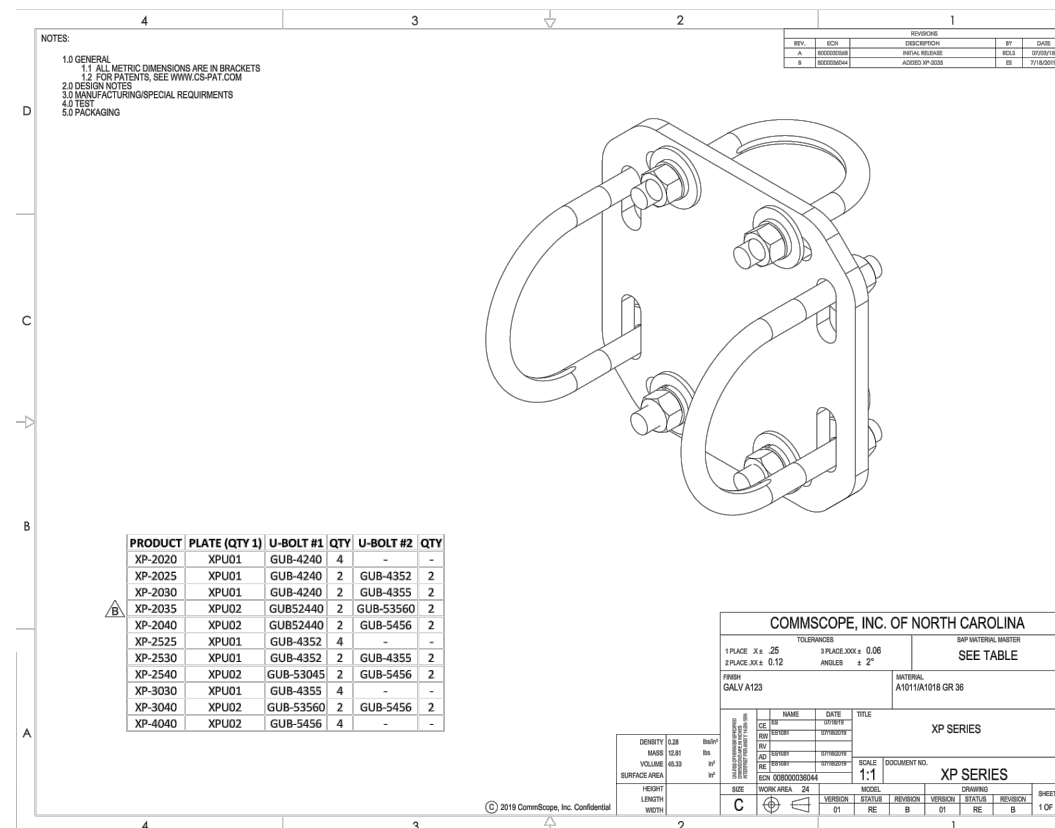
NOKIA NOKIA AIRSCALE RRH 4T4R B5 160W AHCA

DIMENSIONS, HXWXD: 337 X 295 X 165 (MM)
13.3" X 11.6" X 6.5"

WEIGHT: 16.7 (kg)
36.8 lbs



3 AIRSCALE RRH 4T4R B5 160W AHCA DETAIL
A-10 SCALE: NTS



4 XP2020 CROSSOVER PLATE DETAIL
A-10 SCALE: NTS



1825 W. WALNUT HILL LANE, SUITE 120
IRVING, TEXAS 75038
1-855-669-5421



DRAWING SCALES ARE INTENDED FOR 24"x36" SIZE
PRINTED MEDIA ONLY.

SUBMITTALS			
REV	DATE	DESCRIPTION	BY
A	10/06/21	90% CD	TRN
B	02/16/22	90% CD	SUA
C	07/07/22	90% CD	ARK
D	07/21/22	100% CD	SUD

SITE INFORMATION

SITE ID:
UTL02005

RFDS NAME:
UTL02005

SITE NAME:
11400 S & 700 E

SITE ADDRESS:
656 EAST AND 11400 SOUTH
DRAPER, UT 84020

SHEET DESCRIPTION

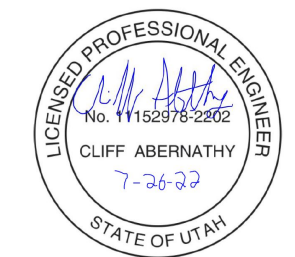
EQUIPMENT DETAILS

SHEET No.

A-10



1825 W. WALNUT HILL LANE, SUITE 120
IRVING, TEXAS 75038
1-855-669-5421



DRAWING SCALES ARE INTENDED FOR 24"x36" SIZE PRINTED MEDIA ONLY.

SUBMITTALS

REV	DATE	DESCRIPTION	BY
A	10/06/21	90% CD	TRN
B	02/16/22	90% CD	SUA
C	07/07/22	90% CD	ARK
D	07/21/22	100% CD	SUD

SITE INFORMATION

SITE ID:
UTL02005

RFDS NAME:
UTL02005

SITE NAME:
11400 S & 700 E

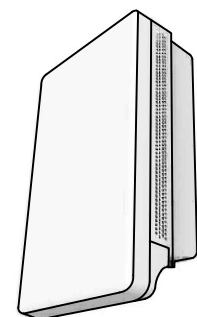
SITE ADDRESS:
656 EAST AND 11400 SOUTH
DRAPER, UT 84020

SHEET DESCRIPTION

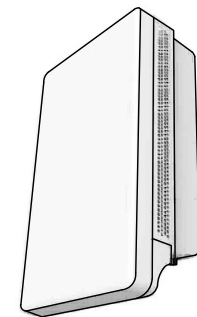
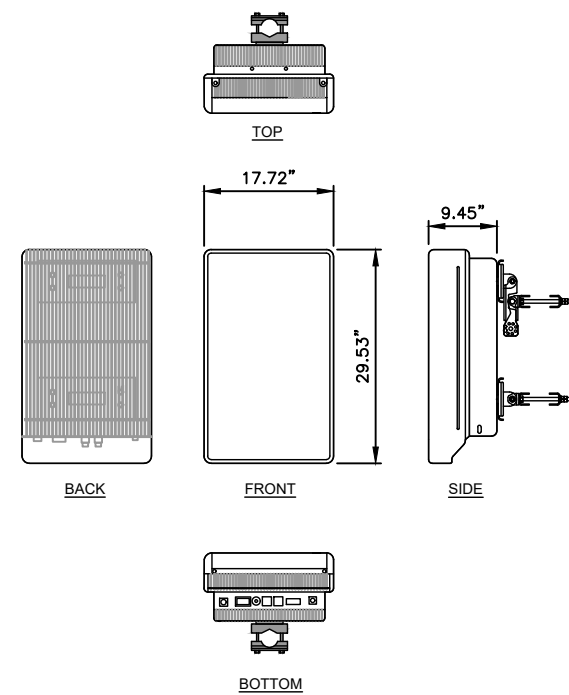
EQUIPMENT DETAILS

SHEET No.

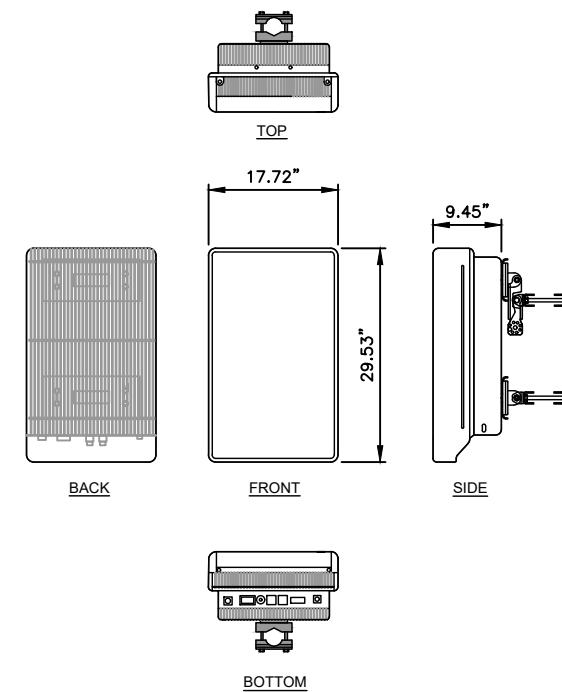
A-11

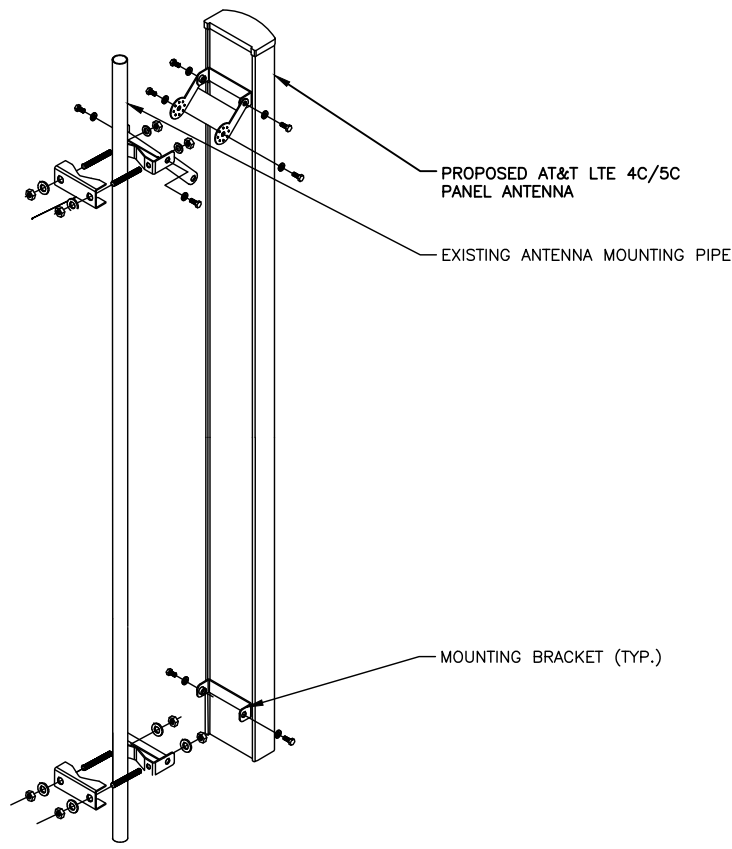


MANUFACTURER	NOKIA
MODEL #	AEQU
DIMENSIONS (HxWxD)	29.53" x 17.72" x 9.45"
NET WEIGHT	<99 lbs (WITHOUT MOUNTING BRACKETS)
OPTICAL PORTS	2 x SFP28, 10/25GE eCPRI
FREQUENCY	-

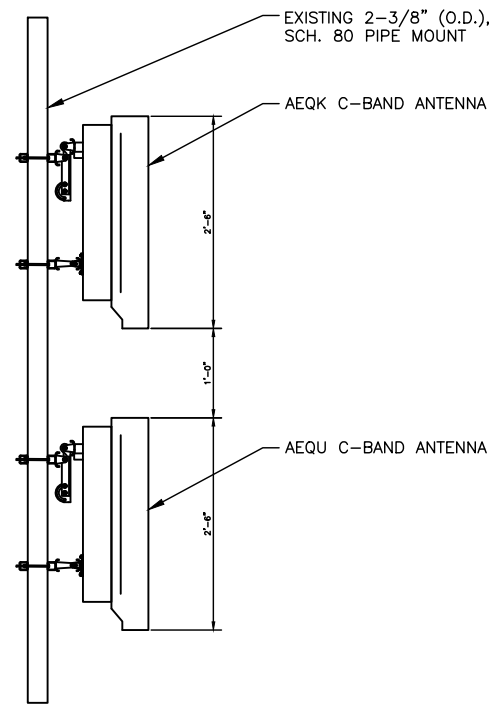


MANUFACTURER	NOKIA
MODEL #	AEQK
DIMENSIONS (HxWxD)	29.53" x 17.72" x 9.45"
NET WEIGHT	<99 lbs (WITHOUT MOUNTING BRACKETS)
OPTICAL PORTS	2 x SFP28, 10/25GE eCPRI
FREQUENCY	-





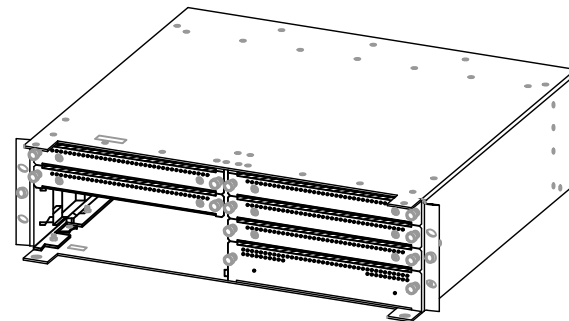
1 ANTENNA MOUNTING DETAIL
A-12 SCALE: NTS



5 AEQU+AEQK ANTENNA MOUNTING DETAIL
A-12 SCALE: NTS

3 NOT USED
A-12 SCALE: NTS

MANUFACTURER: NOKIA
MODEL: AMIA
WEIGHT: 11.2 LBS (UNIT ONLY)
DIMENSIONS: 5.1"x15.7"x17.6"



4 AMIA DETAIL
A-12 SCALE: NTS

Pxxx: Bulk Pipe

Features:

- Factory cut end, hot-dip galvanized pipe

Construction:

- ASTM A53 Grade B
- Schedule 40

Design Criteria:

- ASTM A53 Grade B (Yield $F_y = 35$ ksi [240 MPa] / Tensile $F_u = 60$ ksi [415 MPa])
- Hot dip galvanized in accordance with ASTM A123 requirements

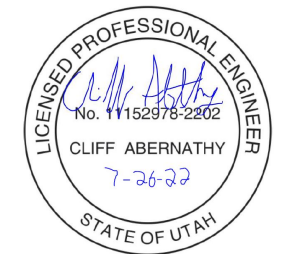


Part #	Length	OD x Length (in)	Weight
P263	5'-3"	2-3/8" x 63"	20 lb
P272	6'-0"	2-3/8" x 72"	22 lb
P284	7'-0"	2-3/8" x 84"	26 lb
P296	8'-0"	2-3/8" x 96"	30 lb
P2120	10'-0"	2-3/8" x 120"	37 lb
P2126	10'-6"	2-3/8" x 126"	39 lb
P2150	12'-6"	2-3/8" x 150"	46 lb
P2174	14'-6"	2-3/8" x 174"	53 lb
P3084	7'-0"	2-7/8" x 84"	41 lb
P3096	8'-0"	2-7/8" x 96"	47 lb
P30120	10'-0"	2-7/8" x 120"	58 lb
P30126	10'-6"	2-7/8" x 126"	61 lb
P30150	12'-6"	2-7/8" x 150"	73 lb
P30174	14'-6"	2-7/8" x 174"	84 lb
P360	5'-0"	3-1/2" x 60"	38 lb
P372	6'-0"	3-1/2" x 72"	46 lb
P396	8'-0"	3-1/2" x 96"	61 lb
P3150	12'-6"	3-1/2" x 150"	95 lb
P3160	13'-4"	3-1/2" x 160"	101 lb
P3174	14'-6"	3-1/2" x 174"	110 lb
P3216	18'-0"	3-1/2" x 216"	137 lb
P472	6'-0"	4-1/2" x 72"	65 lb
P4126	10'-6"	4-1/2" x 126"	114 lb

5 STD PIPE DETAIL
A-12 SCALE: NTS



1825 W. WALNUT HILL LANE, SUITE 120
IRVING, TEXAS 75038
1-855-669-5421



DRAWING SCALES ARE INTENDED FOR 24"x36" SIZE PRINTED MEDIA ONLY.

SUBMITTALS			
REV	DATE	DESCRIPTION	BY
A	10/06/21	90% CD	TRN
B	02/16/22	90% CD	SUA
C	07/07/22	90% CD	ARK
0	07/21/22	100% CD	SUD

SITE INFORMATION

SITE ID:
UTLO2005

RFDS NAME:
UTLO2005

SITE NAME:
11400 S & 700 E

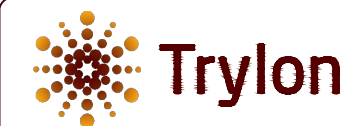
SITE ADDRESS:
656 EAST AND 11400 SOUTH
DRAPER, UT 84020

SHEET DESCRIPTION

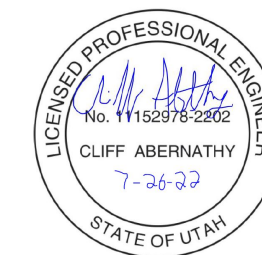
EQUIPMENT DETAILS

SHEET No.

A-12



1825 W. WALNUT HILL LANE, SUITE 120
IRVING, TEXAS 75038
1-855-669-5421



DRAWING SCALES ARE INTENDED FOR 24"x36" SIZE PRINTED MEDIA ONLY.

SUBMITTALS

REV	DATE	DESCRIPTION	BY
A	10/06/21	90% CD	TRN
B	02/16/22	90% CD	SUA
C	07/07/22	90% CD	ARK
D	07/21/22	100% CD	SUD

SITE INFORMATION

SITE ID:
UTL02005

RFDS NAME:
UTL02005

SITE NAME:
11400 S & 700 E

SITE ADDRESS:
656 EAST AND 11400 SOUTH
DRAPER, UT 84020

SHEET DESCRIPTION

EQUIPMENT DETAILS

SHEET No.

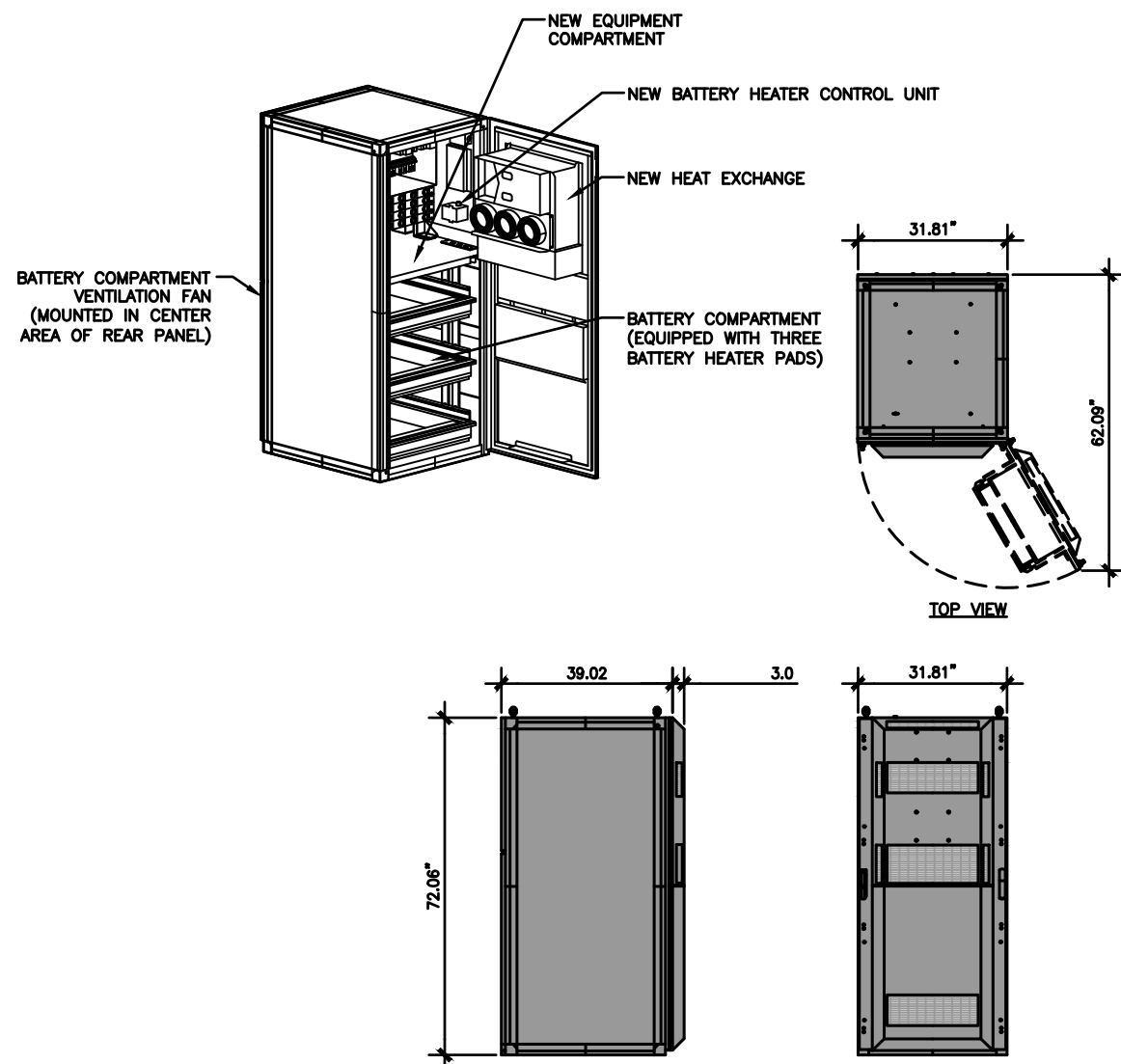
A-13

SIZE AND WEIGHT TABLE

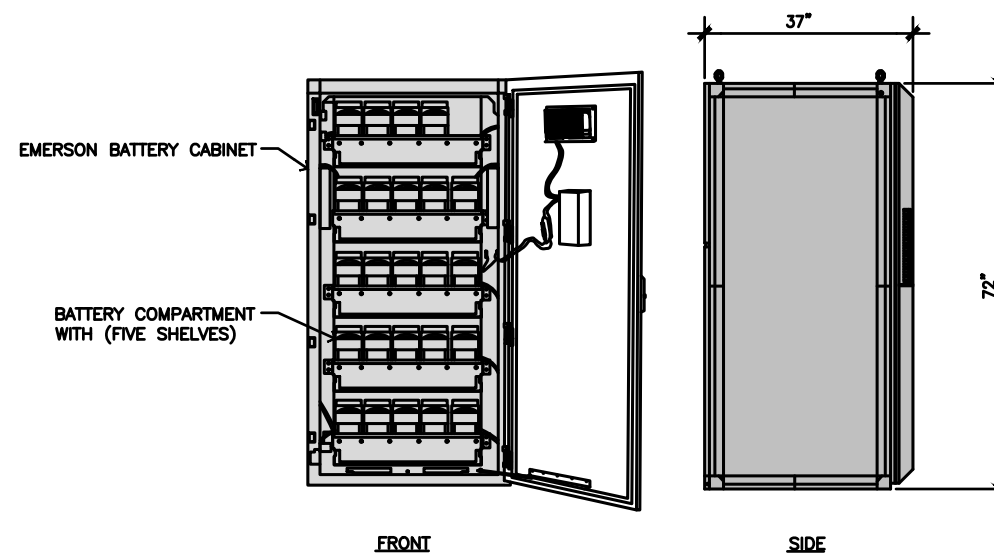
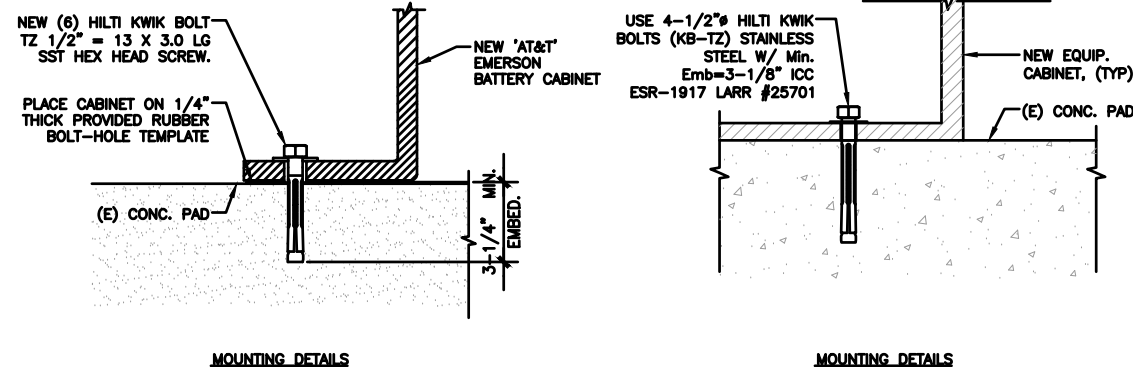
POWER PLANT	WIDTH	DEPTH	HEIGHT	WEIGHT
EMERSON/NETSURE 512 OUTDOOR POWER CABINET	31.81"	39.02"	72.5"	752 LBS.
EMERSON/NETSURE 512 OUTDOOR W/BATTERIES				2206 LBS.

CLEARANCE

CLEARANCE	FRONT	REAR	SIDES
EMERSON/NETSURE 512 OUTDOOR POWER CABINET	36"	6"	2"



1 EMERSON NETSURE 512 POWER PLANT
A-13

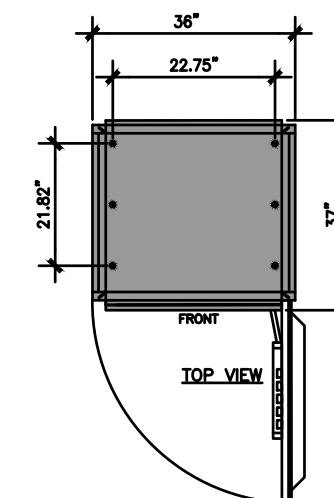


SIZE AND WEIGHT TABLE

BATTERY CABINET	WIDTH	DEPTH	HEIGHT	WEIGHT
NETXTEND OUTDOOR BATTERY CABINET	36"	37"	72"	980 LBS.

CLEARANCE

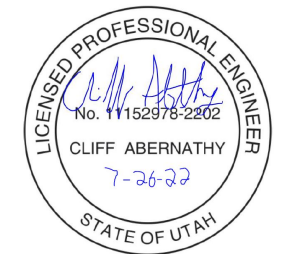
CLEARANCE	FRONT	REAR	SIDES
NETXTEND OUTDOOR BATTERY CABINET	36"	6"	2"



2 EMERSON NETXTEND BATTERY CABINET
A-13



1825 W. WALNUT HILL LANE, SUITE 120
IRVING, TEXAS 75038
1-855-669-5421



DRAWING SCALES ARE INTENDED FOR 24"x36" SIZE PRINTED MEDIA ONLY.

SUBMITTALS

REV	DATE	DESCRIPTION	BY
A	10/06/21	90% CD	TRN
B	02/16/22	90% CD	SUA
C	07/07/22	90% CD	ARK
D	07/21/22	100% CD	SUD

SITE INFORMATION

SITE ID:
UTL02005

RFDS NAME:
UTL02005

SITE NAME:
11400 S & 700 E

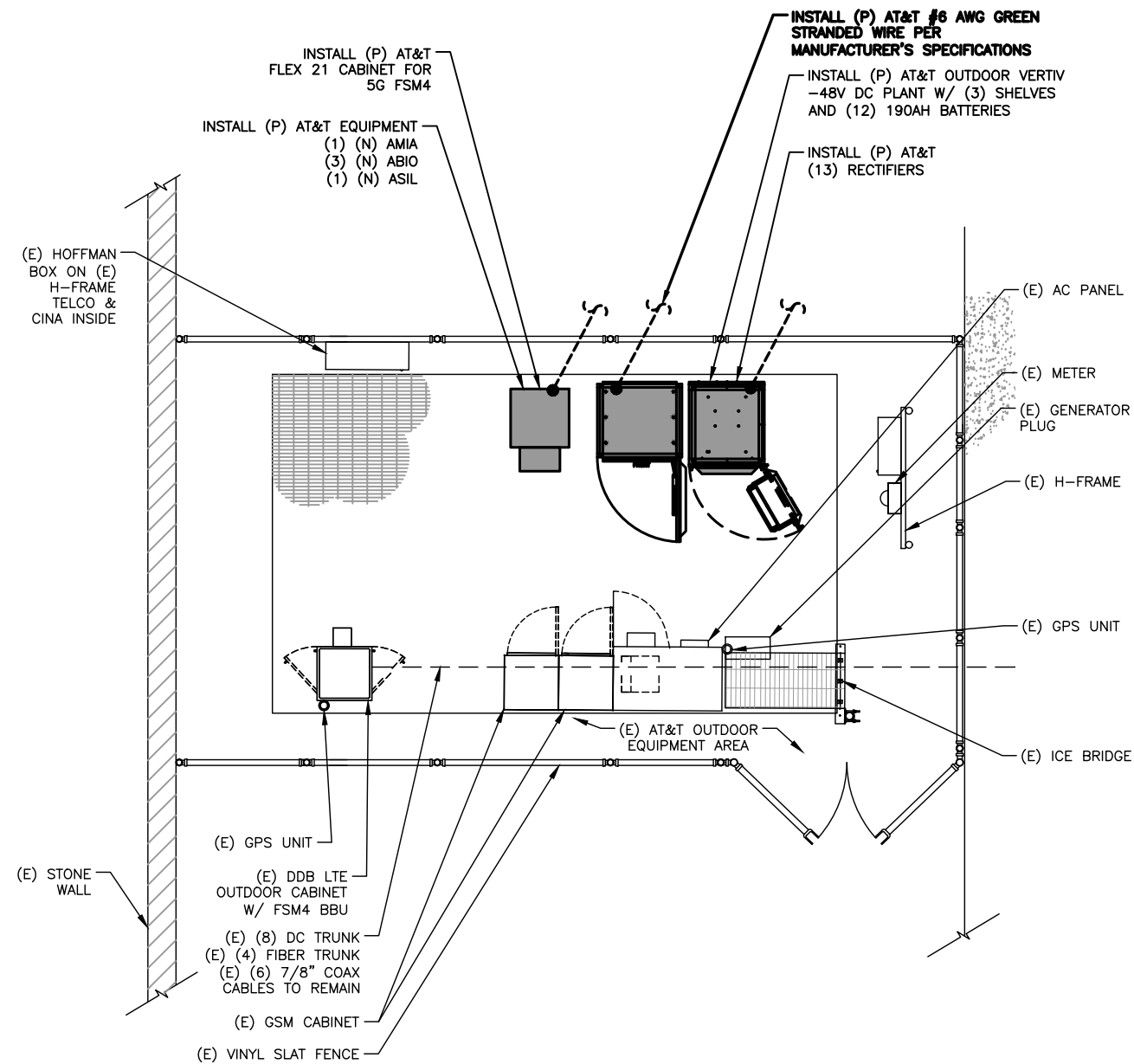
SITE ADDRESS:
656 EAST AND 11400 SOUTH
DRAPER, UT 84020

SHEET DESCRIPTION

GROUNDING PLAN

SHEET No.

E-1



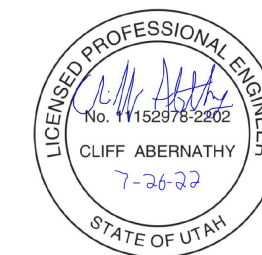
LEGEND

■	EXOTHERMIC CONNECTION
●	COMPRESSION CONNECTION
—	ANTENNA GROUND BAR
MGB	MASTER GROUND BAR

NOTE:
- ALL NEW EQUIPMENT MUST BE GROUNDED TO GROUND RING OR HALO PER AT&T SPECIFICATIONS.
- CONTRACTOR TO REPLACE ALL MISSING GROUND BARS AND GROUNDING CONNECTIONS AS REQUIRED.



1825 W. WALNUT HILL LANE, SUITE 120
IRVING, TEXAS 75038
1-855-669-5421



DRAWING SCALES ARE INTENDED FOR 24"x36" SIZE
PRINTED MEDIA ONLY.

SUBMITTALS

REV	DATE	DESCRIPTION	BY
A	10/06/21	90% CD	TRN
B	02/16/22	90% CD	SUA
C	07/07/22	90% CD	ARK
D	07/21/22	100% CD	SUD

SITE INFORMATION

SITE ID:
UTL02005

RFDS NAME:
UTL02005

SITE NAME:
11400 S & 700 E

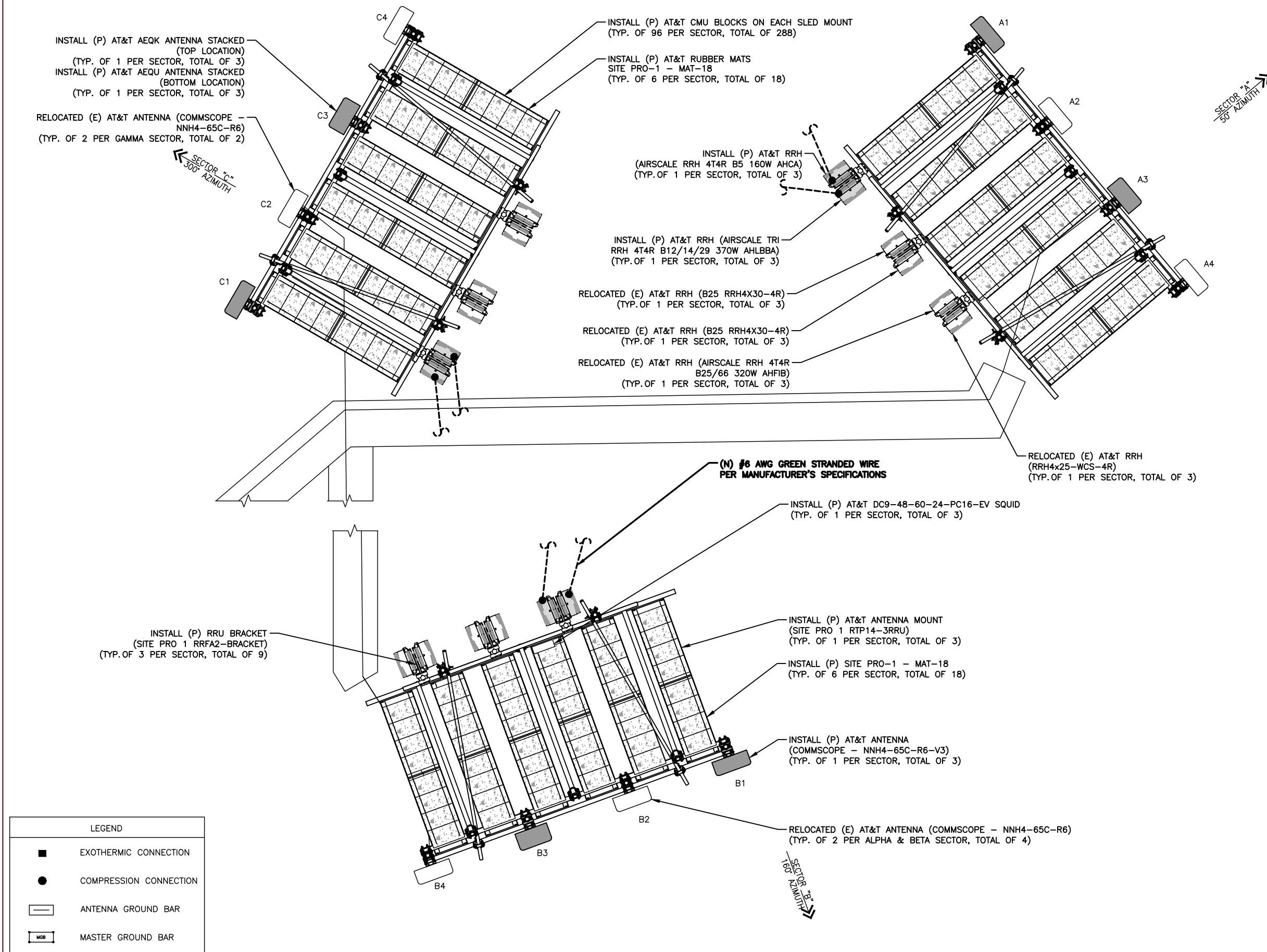
SITE ADDRESS:
656 EAST AND 11400 SOUTH
DRAPER, UT 84020

SHEET DESCRIPTION

GROUNDING PLAN

SHEET No.

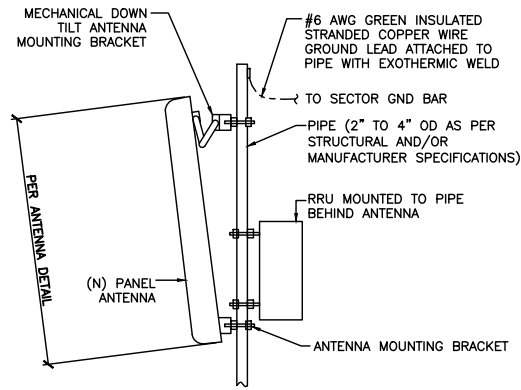
E-1.1



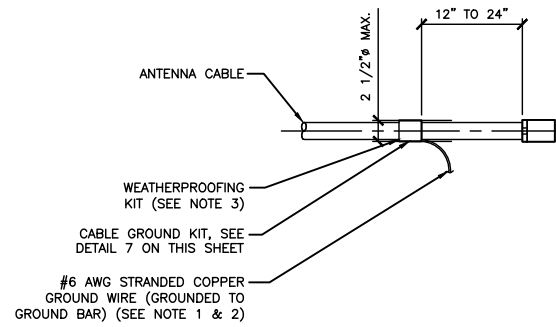
LEGEND

■	EXOTHERMIC CONNECTION
●	COMPRESSION CONNECTION
—	ANTENNA GROUND BAR
— MGB	MASTER GROUND BAR

1 ANTENNA MOUNT GROUNDING PLAN
E-1.1 SCALE (11" X 17"): N.T.S.

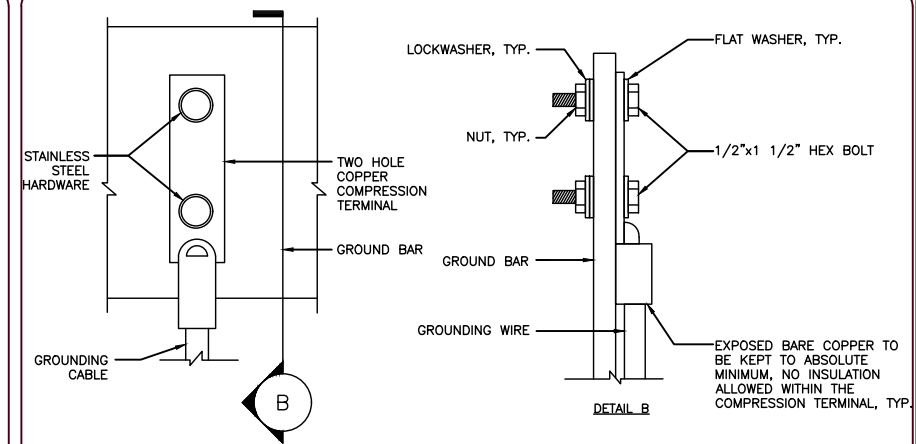


1 ANTENNA PIPE MOUNT GROUNDING DETAIL
E-2



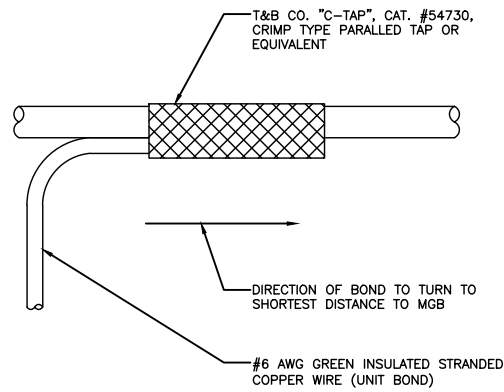
- NOTES:
- DO NOT INSTALL CABLE GROUND KIT AT A BEND AND ALWAYS DIRECT GROUND WIRE DOWN TO GROUND BAR
 - GROUNDING KIT SHALL BE ANDREW SUREGROUND TYPE KIT WITH TWO-HOLE LUG
 - WEATHER PROOFING SHALL BE ANDREW TWO-PART TAPE SUPPLIED WITH KIT. COLD SHRINK SHALL NOT BE USED

2 CABLE GROUND KIT DETAIL
E-2

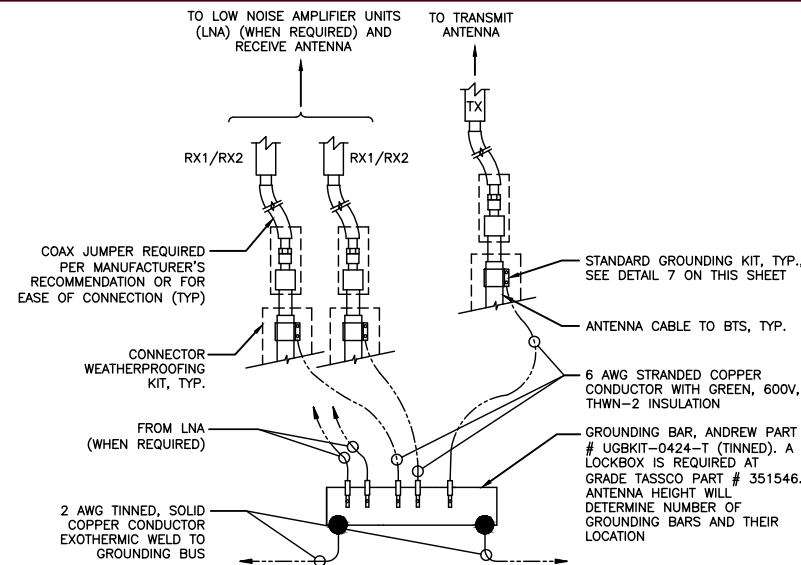


- NOTES:
- "DOUBLING UP" OR "STACKING" OF CONNECTIONS IS NOT PERMITTED.
 - OXIDE INHIBITING COMPOUND TO BE USED AT ALL LOCATIONS AND TO BE APPLIED PRIOR TO ADDING HARDWARE.

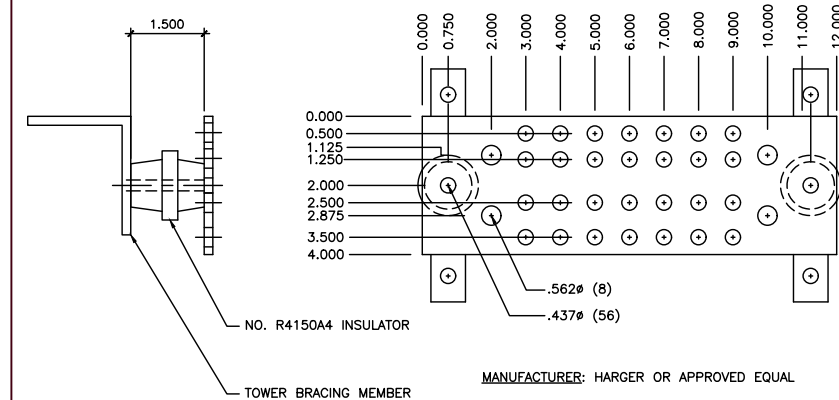
3 TYPICAL GROUND LUG CONNECTION DETAIL
E-2



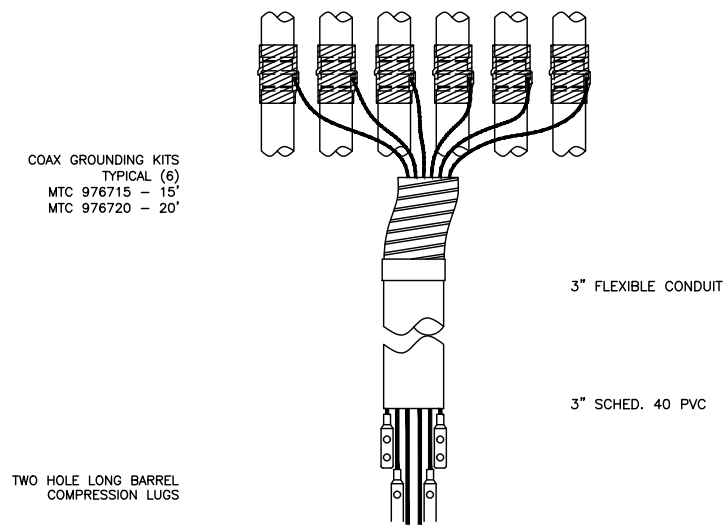
4 GROUNDING WIRE CONNECTION
E-2



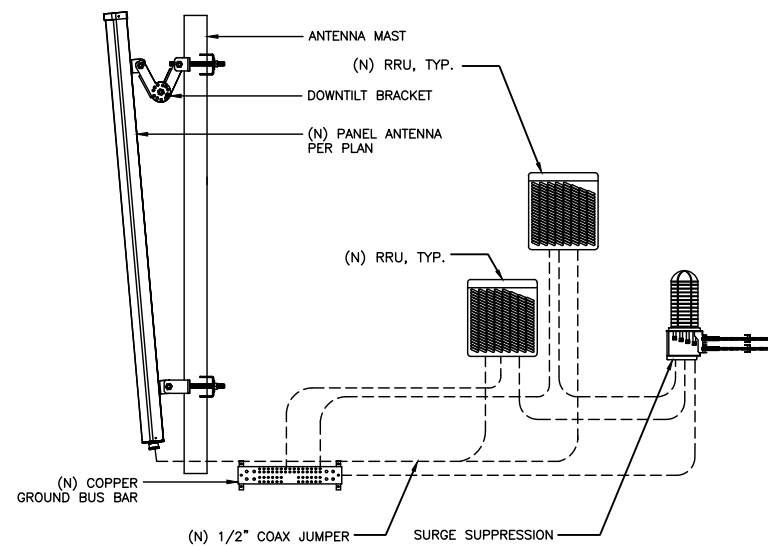
5 ANTENNA GROUNDING BAR CONNECTION DETAIL
E-2



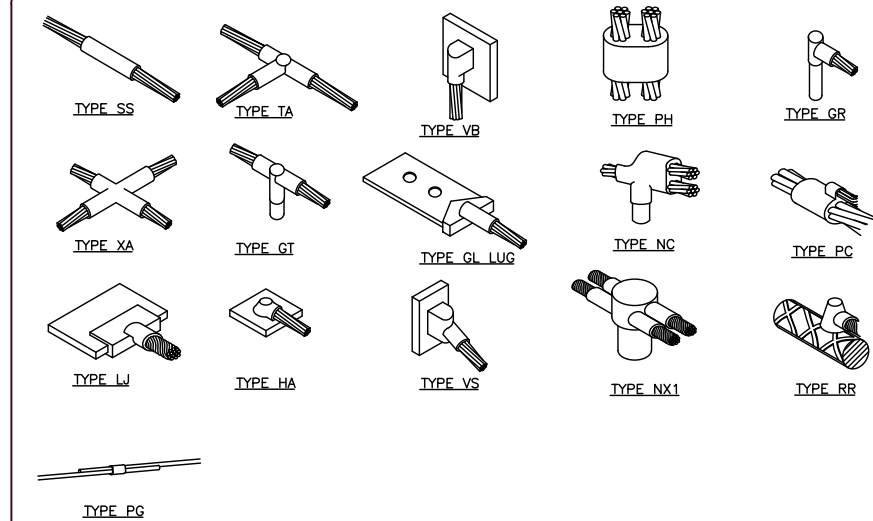
6 ANTENNA (12") GROUND BAR DETAIL
E-2



7 COAX GROUND KIT
E-2



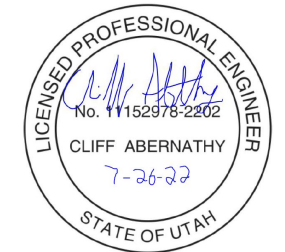
8 RRU GROUNDING DETAIL
E-2



9 TYPICAL CADWELD TYPES
E-2



1825 W. WALNUT HILL LANE, SUITE 120
IRVING, TEXAS 75038
1-855-669-5421



DRAWING SCALES ARE INTENDED FOR 24"x36" SIZE PRINTED MEDIA ONLY.

SUBMITTALS			
REV	DATE	DESCRIPTION	BY
A	10/06/21	90% CD	TRN
B	02/16/22	90% CD	SUA
C	07/07/22	90% CD	ARK
D	07/21/22	100% CD	SUD

SITE INFORMATION

SITE ID:
UTL02005

RFDS NAME:
UTL02005

SITE NAME:
11400 S & 700 E

SITE ADDRESS:
656 EAST AND 11400 SOUTH
DRAPER, UT 84020

SHEET DESCRIPTION

GROUNDING DETAILS

SHEET No.

E-2